

# Awnings

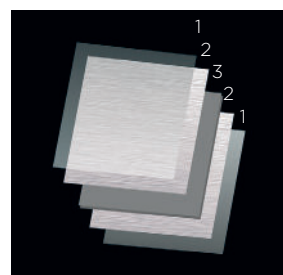
GENERAL INFO	
Awnings - Fabrics	4
Awnings - User manual	4
Awnings - Fit Guide	5
Awnings & Adapters - Online Fit Guide for Vans and Compact Vans	7
Awnings - Installation - Operation - Specifications	8
Awnings - Accessories	10

AWNINGS	
Thule Omnistor 5200	12
Thule Omnistor 8000	15
Thule 4200	18
Thule Omnistor 5102	20
Thule 3200	21
Thule Omnistor 6300	22
Thule Omnistor 9200	26
Thule Omnistor 1200	29

AWNING ADAPTERS	
Thule Awnings & Adapters - Online Fit Guide for Vans and Compact Vans	31
Thule Awning Adapters - Fit Guide	32
Thule Awning Adapters for UK	33
Thule Awning Adapters for Wall Mounting	37
Thule Awning Adapters for T 3200	47
Thule Awning Adapters for Roof Mounting	49
Thule Awning Adapters for Vans	57

# Awnings - Fabrics

- The top quality PVC fabric used for Thule Omnistor awnings is printed on both sides and has a coating. This coating keeps the fabric colour fixed, watertight, washable and durable. It not only ensures a high degree of scratch-resistance but also increases the UV-resistance and heat-resistance properties. The fabric may be rolled up for a few days, even if it is wet
- Welded joints allow a perfect waterproof and longlasting awning
- The Thule Omnistor PVC fabric consists of several layers:
  - 1 - Top coat of the PVC protects against scratching and fading
  - 2 - Vinyl with painted pattern
  - 3 - High strength polyester scrim
  - 2 - Vinyl with painted pattern
  - 1 - Top coat of the PVC protects against scratching and fading
- Our fabric pattern is printed along both sides and over the entire surface (31 & 32)
- The fabric can be cleaned using the Thule PVC Cleaner
- Depending on the type of awning, you can choose different patterns for your awning fabric:
  - 31 - Mystic Grey
  - 32 - Sapphire Blue
  - 22 - Uni White
  - 07 - Uni Grey(see catalogues 'Motorhome and Caravan Accessories' and 'Van and Compact Van Accessories')



# Awnings - User Manual

All user manuals are available on our website: [www.thule.com](http://www.thule.com)

- > Go to the product page
- > Go to "Downloads"

# Awnings - Fit Guide

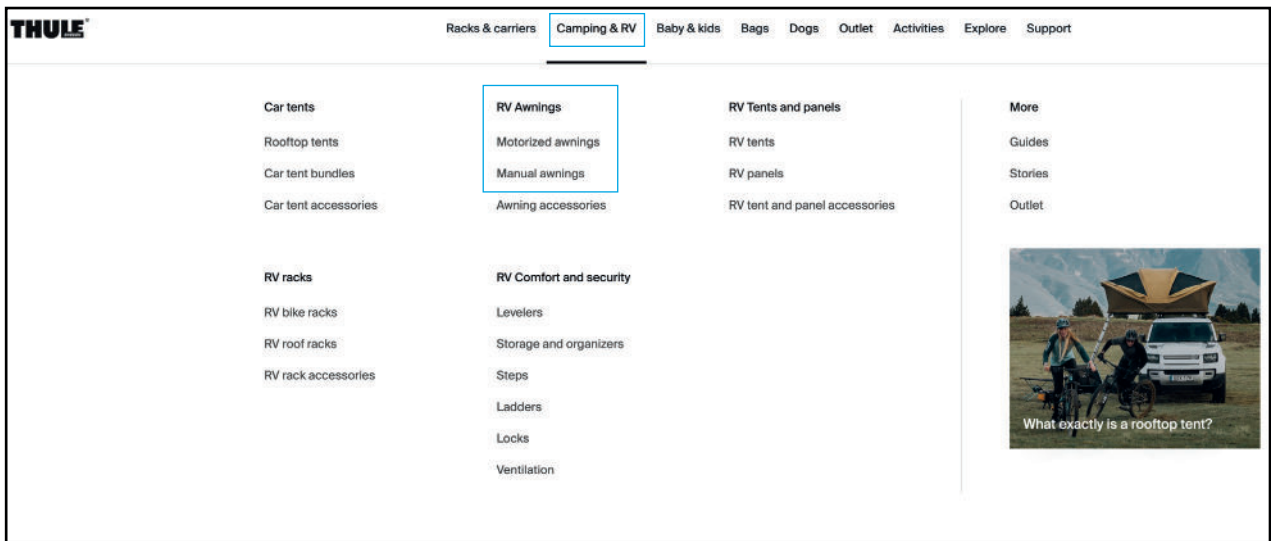
	Motor-home	Caravan	Van	Compact Van	Length	Projection	Cassette finishes	Motor
<b>Wall-mounted Awnings</b>								
Thule Omnistor 5200	•	•	•	•	1.92 m - 5.02 m	1.40 m - 2.50 m	Anodised White Anthra-cite	• 12 VDC
Thule Omnistor 8000	•	•			4.00 m - 6.00 m	2.75 m	Anodised White Cream Anthra-cite	• 230 VAC EM
Thule 4200	•	•	•	•	2.60 m - 4.50 m	2.00 m - 2.50 m	Anodised White Anthra-cite	
Thule Omnistor 5102 for VW T5/T6				•	2.60 m	2.00 m	Light Grey Anthra-cite	
Thule 3200				•	1.90 m - 3.00 m	2.50 m	Anodised Anthra-cite	
<b>Roof-mounted Awnings</b>								
Thule Omnistor 6300	•	•	•		2.60 m - 5.00 m	2.00 m - 2.50 m	Anodised White Anthra-cite	• 12 VDC
Thule Omnistor 9200	•	•			4.00 m - 6.00 m	3.00 m	Anodised White Cream	• 230 VAC EM
<b>Rail-mounted Awnings</b>								
Thule Omnistor 1200		•			2.30 m - 5.50 m	2.00 m - 2.50 m	White (bag)	



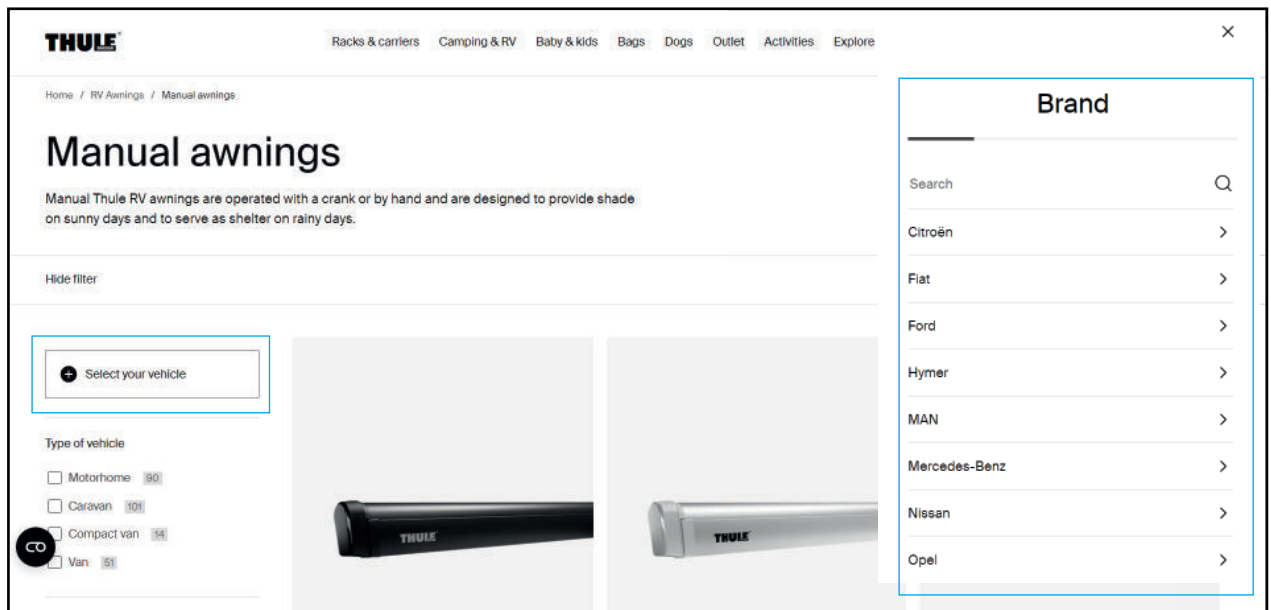
# Thule Awnings & Adapters - Online Fit Guide for Vans and Compact Vans

Go to [www.thule.com](http://www.thule.com)

Select "Camping & RV" and choose "Motorized awnings" or "Manual awnings"



Choose "Select your Vehicle" on the left, enter the vehicle data and discover the compatible Thule RV products



# Awnings - Overview

## Installation - Operation - Specifications

### WALL-MOUNTED

5200	8000	4200	5102	3200
------	------	------	------	------

INSTALLATION					
On a motorhome	•	•	•		
On a caravan	•	•	•		
On a van	•		•		
On a compact van	•		•	•	•
Installation on the wall	•	•	•	•	•
Installation on the roof					
Installation in the caravan rail	•	•			
Installation on a roof rack					•
Flat adapter supplied as standard	•	•	•	• ***	

OPERATION					
Fast gear	•	•	•	•	
By hand					•
Available with motor	• 12 VDC	• 230 VAC EM			
Spring arms	•	•	•	•	
Manual tension arms					•

SPECIFICATIONS					
Minimum box length	1.92 m	4.00 m	2.60 m	2.60 m	1.90 m
Maximum box length (without motor)*	5.02 m	6.00 m	4.50 m	2.60 m	3.00 m
Minimum projection	1.40 m	2.75 m	2.00 m	2.00 m	2.50 m
Maximum projection **	2.50 m	2.75 m	2.50 m	2.00 m	2.50 m
Minimum weight	14.2 kg	41.4 kg	18.4 kg	19.8 kg	12 kg
Maximum weight (without motor)	32.8 kg	55.4 kg	27.6 kg	19.8 kg	16.9 kg
Integrated tension arms	•	•	•		
Quick-Lock system	•	•		•	•

\* The fabric is approximately 20 cm shorter than the box length

\*\* The maximum projection is only possible in combination with longer lengths. Please consult the technical specifications for more information. Projection is measured from rear of awning box to the front of the lead rail

\*\*\* Special brackets for VW T5

# Awnings - Overview

## Installation - Operation - Specifications

ROOF-MOUNTED		CARAVAN RAIL
6300	9200	1200

INSTALLATION			
On a motorhome	•	•	
On a caravan	•	•	•
On a van	•		
On a compact van			
Installation on the wall			
Installation on the roof	•	•	
Installation in the caravan rail			•
Installation on a roof rack			
Flat adapter supplied as standard			

OPERATION			
Fast gear	•	•	
By hand			•
Available with motor	• 12 VDC	• 230 VAC EM	
Spring arms	•	•	
Manual tension arms			•

SPECIFICATIONS			
Minimum box length	2.60 m	4.00 m	2.30 m
Maximum box length (without motor)*	5.00 m	6.00 m	5.50 m
Minimum projection	2.00 m	3.00 m	2.00 m
Maximum projection **	2.50 m	3.00 m	2.50 m
Minimum weight	20.6 kg	42.4 kg	9 kg
Maximum weight (without motor)	35.6 kg	57.6 kg	20 kg
Integrated tension arms	•	•	
Quick-Lock system	•	•	•

\* The fabric is approximately 20 cm shorter than the box length

\*\* The maximum projection is only possible in combination with longer lengths. Please consult the technical specifications for more information. Projection is measured from rear of awning box to the front of the lead rail

# Awnings - Overview

## Accessories

### WALL-MOUNTED

5200	8000	4200	5102	3200
------	------	------	------	------

ADAPTERS					
Thule Roof Adapters					
Thule Wall Adapters	•	•	•	•	
SMART PANELS					
Thule Rain Blocker G2 Front	•	•	•	•*	•*
Thule Rain Blocker G2 Side	•	•	•	•*	•*
Thule Sun Blocker G2 Front	•	•	•	•	•
Thule Sun Blocker G2 Side	•	•	•	•	•*
Thule View Blocker G2 Side	•		•		
Thule View Blocker Front	•	•	•	•	
Thule Rain Blocker Side					
Thule Windscreen	•	•	•	•	
TENTS					
Thule Veduta					
Thule Panorama	•	•			
Thule Residence G3	•	•	•	•*	
Thule QuickFit	•	•	•		
WIND PROTECTION					
Thule Hold Down Kit	•	•	•	•	
Thule Hold Down Side Strap Kit	•	•	•	•	•
Thule Tension Rafter G2	•	•	•		
Thule 3 <sup>rd</sup> Support Leg (as of 3.75 m)	•	•			
SEALINGS					
Thule Sealing Rubber	•	•	•*		
Thule EPDM Sealing					
Thule Gutter	•	•	•	•	
MOTORISATION					
Thule Motor Kit TO 8000/9200 (230 VAC EM)		•			
Thule Motor Kit TO 5200 (12V)	•				
Thule Motor Kit TO 6300 (12V)					
LIGHTING					
Thule LED Strip	•	•	•	•	
Thule LED Strip Sideways					
Thule LED Mounting Rail TO 6300/9200					
Thule Tent LED Mounting Rail TO 5200	•				
Thule Tent LED Mounting Rail TO 6300					
MAINTENANCE					
Thule PVC Cleaner	•	•	•	•	•
Thule Repair Patch	•	•	•	•	•

\* Specific model

# Awnings - Overview

## Accessories

ROOF-MOUNTED		CARAVAN RAIL
6300	9200	1200

ADAPTERS			
Thule Roof Adapters	•	•	
Thule Wall Adapters			
SMART PANELS			
Thule Rain Blocker G2 Front	•	•	•
Thule Rain Blocker G2 Side	•	•	•*
Thule Sun Blocker G2 Front	•	•	•
Thule Sun Blocker G2 Side	•	•	•*
Thule View Blocker G2 Side	•		
Thule View Blocker Front	•	•	•
Thule Rain Blocker Side			
Thule Windscreen	•	•	•
TENTS			
Thule Veduta	•		
Thule Panorama	•	•	
Thule Residence G3	•	•	
Thule QuickFit	•	•	•
WIND PROTECTION			
Thule Hold Down Kit	•	•	•
Thule Hold Down Side Strap Kit	•	•	•
Thule Tension Rafter G2	•	•	•*
Thule 3 <sup>rd</sup> Support Leg (as of 3.75 m)	•	•	•
SEALINGS			
Thule Sealing Rubber			
Thule EPDM Sealing	•	•	
Thule Gutter	•	•	•
MOTORISATION			
Thule Motor Kit TO 8000/9200 (230 VAC EM)		•	
Thule Motor Kit TO 5200 (12V)			
Thule Motor Kit TO 6300 (12V)	•		
LIGHTING			
Thule LED Strip	•	•	
Thule LED Strip Sideways	•		
Thule LED Mounting Rail TO 6300/9200	•	•	
Thule Tent LED Mounting Rail TO 5200			
Thule Tent LED Mounting Rail TO 6300	•	•	
MAINTENANCE			
Thule PVC Cleaner	•	•	•
Thule Repair Patch	•	•	•

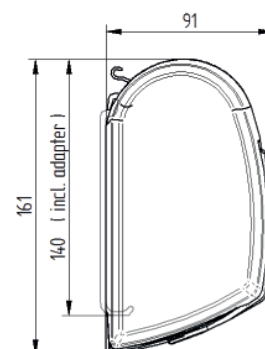
\* Specific model for Thule Omnistor 1200

# Thule Omnistor 5200



## INFO

- Installation Wall mounting
- Length 1.92 m - 5.02 m
- Projection 1.40 m - 2.50 m
- Cassette White  
Anodised: not with fabric 22  
Anthracite: 2.62 m - 5.02 m - only fabric 31 (Mystic Grey)
- Fabric 31 - Mystic Grey  
32 - Sapphire Blue  
22 - Uni White
- Weight 14.2 kg - 32.8 kg (without motor)  
Motorised version: +1 kg



## FEATURES

- Flat adapter delivered as standard. Special adapters for wall mounting need to be ordered separately
- Perfect fabric tension: sturdy spring arms with patented integrated tension arms ensure a perfectly tensioned awning fabric for increased wind resistance. Standard integrated for awning lengths from 4.02 m and more, optional for a 3.02 m or 3.52 m awning length
- Thule Quick Release support legs:
  - sturdy metal connection parts
  - easy unlocking and storing into the lead rail of the awning
  - can be removed vertically from the lead rail: no risk of damaging the vehicle wall
  - inner arm remains blocked during the set up
- Thule Quick-Lock: user-friendly system to help you set up and adjust the support legs to the right heights
- Optional Thule Tent LED Mounting Rail TO 5200:
  - covers the gap under the awning = wall adapters are no longer visible
  - possible to mount a Thule QuickFit awning tent thanks to the integrated rail
  - possible to hang up the Thule Organizers
  - possible to add a Thule LED Strip
- Thule look:
  - matches the contemporary RV design
  - better integrated on the vehicle side
- Optional 12V DC motor:
  - operate awning lengths from 3.00 m and more without any effort
  - control is made with a switch through one touch command
  - integrated manual override with hand crank in case of power failure
  - can be retrofitted installed as an accessory on a manual Thule Omnistor 5200 from awning length 3.00 m (+ 1kg)
- Patented roller tube support for better fabric tension and reduced wrinkling of the fabric
- Easy roller tube adjustment: perfect closing of the cassette on the side opposite to the gear
- Improved masking and finish of the technical parts
- Integrated anti-rattling solutions
- Integrated fixation for an optional 3rd support leg to ensure a higher stability (from 3.75 m awning length)
- Increased reliability: built-in durable systems for long life performance
- Thule Adjustable Pitch system: the incline of the awning fabric can be set as you please to easily open the door of your vehicle without touching the awning fabric

## ACCESSORIES

- Thule Wall Adapters
- Thule Motor Kit TO 5200
- Thule Tent LED Mounting Rail TO 5200
- Thule LED Strip
- Thule Tension Arm Set TO 5200
- Thule Tension Rafter G2
- Thule 3<sup>rd</sup> Support Leg
- Thule Hold Down Kit
- Thule Hold Down Side Strap Kit
- Thule Sealing Rubber
- Thule Gutter
- Thule Sun Blocker G2 Front
- Thule Sun Blocker G2 Side
- Thule Rain Blocker G2 Front
- Thule Rain Blocker G2 Side
- Thule View Blocker G2 Side
- Thule View Blocker Front
- Thule Windscreen
- Thule Panorama
- Thule Residence G3
- Thule QuickFit

## MAINTENANCE

- Thule PVC Cleaner
- Thule Repair Patch

THULE OMNISTOR 5200 - MANUAL					
LENGTH	PROJECTION	WEIGHT	CASSETTE	FABRIC	SKU N°
1.92 m	1.40 m	14.2 kg	White	22 Uni White	301005
				31 Mystic Grey	301003
				32 Sapphire Blue	301004
			Anodised	31 Mystic Grey	301103
2.32 m	1.80 m	17 kg	White	22 Uni White	301015
				31 Mystic Grey	301013
				32 Sapphire Blue	301014
			Anodised	31 Mystic Grey	301113
2.62 m	2.00 m	19 kg	White	22 Uni White	301025
				31 Mystic Grey	301023
				32 Sapphire Blue	301024
			Anodised	31 Mystic Grey	301123
				32 Sapphire Blue	301124
			Anthracite	31 Mystic Grey	301203
3.02 m	2.50 m	22.6 kg	White	22 Uni White	301035
				31 Mystic Grey	301033
				32 Sapphire Blue	301034
			Anodised	31 Mystic Grey	301133
				32 Sapphire Blue	301134
			Anthracite	31 Mystic Grey	301213
3.15 m	2.50 m	24.6kg	Anthracite	31 Mystic Grey	301220 *
3.52 m	2.50 m	25.4 kg	White	22 Uni White	301045
				31 Mystic Grey	301043
				32 Sapphire Blue	301044
			Anodised	31 Mystic Grey	301143
				32 Sapphire Blue	301144
			Anthracite	31 Mystic Grey	301223
3.75 m	2.50 m	27.4 kg	Anthracite	31 Mystic Grey	301230 **

\* Special model for Ducato/Jumper/Boxer Van with Lift Roof - mounted with Ducato H2 Lift Roof Adapter - 301950

\*\* Special model for Ducato/Jumper/Boxer Van with Lift Roof - mounted with Ducato H2 Lift Roof Adapter - 301951

LENGTH	PROJECTION	WEIGHT	CASSETTE	FABRIC	SKU N°
4.02 m	2.50 m	28 kg	White	22 Uni White	301055
				31 Mystic Grey	301053
				32 Sapphire Blue	301054
			Anodised	31 Mystic Grey	301153
				32 Sapphire Blue	301154
			Anthracite	31 Mystic Grey	301233 *
4.52 m	2.50 m	30.4 kg	White	22 Uni White	301065
				31 Mystic Grey	301063
				32 Sapphire Blue	301064
			Anodised	31 Mystic Grey	301163
				32 Sapphire Blue	301164
			Anthracite	31 Mystic Grey	301243
5.02 m	2.50 m	32.8 kg	White	22 Uni White	301075
				31 Mystic Grey	301073
				32 Sapphire Blue	301074
			Anodised	31 Mystic Grey	301173
				32 Sapphire Blue	301174
			Anthracite	31 Mystic Grey	301264

\* Special model for Ducato/Jumper/Boxer Van with Lift Roof - mounted with Ducato H2 Lift Roof Adapter - 301940

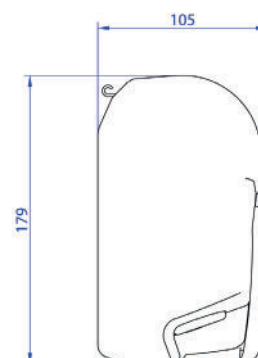
THULE OMNISTOR 5200 - WITH MOTOR					
LENGTH	PROJECTION	WEIGHT	CASSETTE	FABRIC	SKU N°
3.05 m	2.50 m	23.6 kg	White	31 Mystic Grey	301080
			Anodised		301180
			Anthracite		301190
3.55 m	2.50 m	26.4 kg	White	31 Mystic Grey	301081
			Anodised		301181
			Anthracite		301191
4.05 m	2.50 m	29 kg	White	31 Mystic Grey	301082
			Anodised		301182
			Anthracite		301192
4.55 m	2.50 m	31.4 kg	White	31 Mystic Grey	301083
			Anodised		301183
			Anthracite		301193
5.05 m	2.50 m	33.8 kg	White	31 Mystic Grey	301084
			Anodised		301185
			Anthracite		301198

# Thule Omnistor 8000



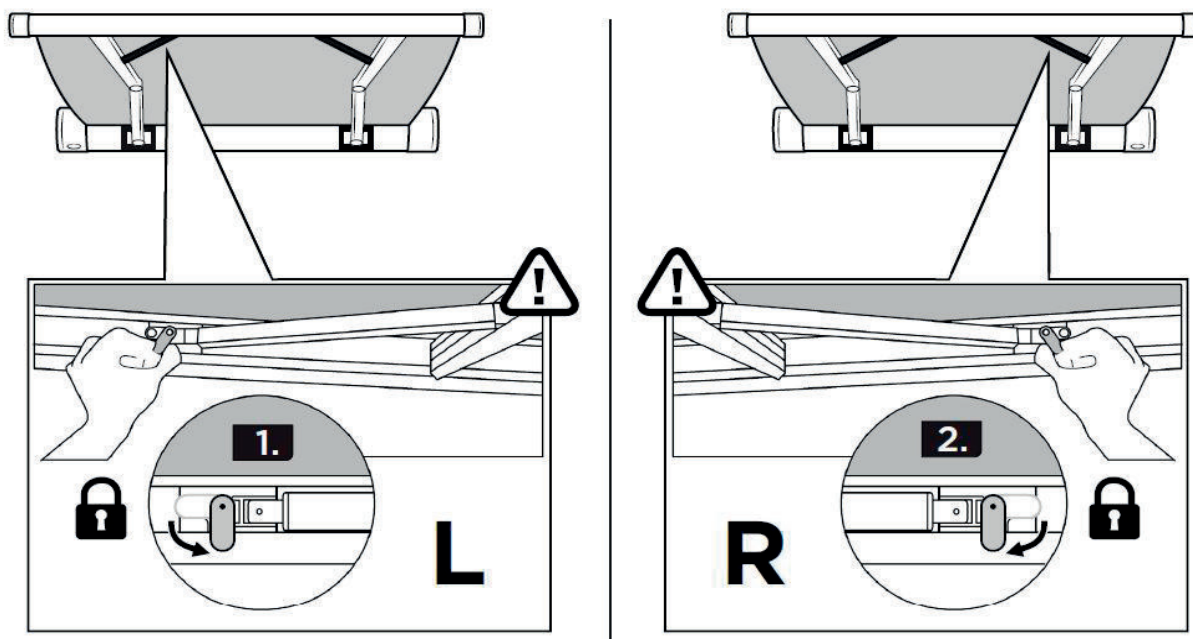
## INFO

- Installation Wall mounting
- Length 4.00 m - 6.00 m
- Projection 2.75 m
- Cassette White  
Anodised  
Cream: only with fabric 31 (Mystic Grey)  
Anthracite: only with fabric 31 (Mystic Grey)
- Fabric 31 - Mystic Grey  
32 - Sapphire Blue  
22 - Uni White
- Weight 41.4 kg - 55.4 kg (without motor)  
43.6 kg - 57.6 kg (including motor)



## PERFECT FABRIC TENSION

- Improved stability of the complete awning thanks to the integration of automatic tension rafters in both spring arms
- The tension rafters can easily be locked when maximal tension is reached by turning both buttons in the lead rail with 90°
- The perfect tension is achieved by retracting the fabric with the remote control or hand crank
- The new, more powerful motor improves this fabric tension even more when customers want to combine additional Thule accessories



## FEATURES

- Flat adapter delivered as standard. Special adapters for wall mounting need to be ordered separately
- Perfect fabric tension: sturdy spring arms with integrated tension arms ensure a perfectly tensioned awning fabric for increased wind resistance

- Spring arms:
  - reinforced with a double steel cable
  - the automatically deployed tension rafters absorb movement to ensure stability and wind-resistance
- Front profile with integrated drainage system
- Locking system on manual awnings TO 8000: prevents the awning from opening while the vehicle is moving, works automatically when closing the awning
- Optional 230 VAC EM motor with remote control:
  - operate the awning without any effort
  - electronic system ensures a perfect closing of the front profile
  - mechanical settings prevent the awning fabric being rolled up in the wrong way
  - a safety device enables you to operate the awning manually in case of electricity failure
  - can be retrofit installed as an accessory on a manual Thule Omnistor 8000 awning (+ 2.1 kg)
  - possibility to operate with optional wall switch
- Thule Quick-Lock: user-friendly system to help you set up and adjust the support legs to the right heights

THULE OMNISTOR 8000 - MANUAL					
LENGTH	PROJECTION	WEIGHT	CASSETTE	FABRIC	SKU N°
4.00 m	2.75 m	41.4 kg	Anodised	31 Mystic Grey	308683
				32 Sapphire Blue	308701
			White	22 Uni White	307717
				31 Mystic Grey	308728
			Cream	32 Sapphire Blue	308698
				31 Mystic Grey	308979
4.50 m	2.75 m	44.6 kg	Anodised	31 Mystic Grey	308708
				32 Sapphire Blue	308709
			White	22 Uni White	307725
				31 Mystic Grey	308679
			Cream	32 Sapphire Blue	308703
				31 Mystic Grey	308912
5.00 m	2.75 m	48.2 kg	Anodised	31 Mystic Grey	308710
				32 Sapphire Blue	308711
			White	22 Uni White	307733
				31 Mystic Grey	308704
			Cream	32 Sapphire Blue	308705
				31 Mystic Grey	308971
Anthracite	31 Mystic Grey	301672			
	5.50 m	2.75 m	Anodised	31 Mystic Grey	308712
32 Sapphire Blue				308713	
White			22 Uni White	307741	
			31 Mystic Grey	308706	
Cream			32 Sapphire Blue	308707	
			31 Mystic Grey	308972	
Anthracite	31 Mystic Grey	301673			
6.00 m	2.75 m	55.4 kg	Anodised	31 Mystic Grey	308714
				32 Sapphire Blue	308715
			White	22 Uni White	307749
				31 Mystic Grey	308729
			Cream	32 Sapphire Blue	308718
				31 Mystic Grey	308978
Anthracite	31 Mystic Grey	301674			

THULE OMNISTOR 8000 - WITH MOTOR					
LENGTH	PROJECTION	WEIGHT	CASSETTE	FABRIC	SKU N°
4.00 m	2.75 m	43.6 kg	Anodised	31 Mystic Grey	302611
				32 Sapphire Blue	302612
			White	22 Uni White	302640
				31 Mystic Grey	302601
				32 Sapphire Blue	302602
			Cream	31 Mystic Grey	302621
4.50 m	2.75 m	46.8 kg	Anodised	31 Mystic Grey	302613
				32 Sapphire Blue	302614
			White	22 Uni White	302641
				31 Mystic Grey	302603
				32 Sapphire Blue	302604
			Cream	31 Mystic Grey	302623
5.00 m	2.75 m	50.4 kg	Anodised	31 Mystic Grey	302615
				32 Sapphire Blue	302616
			White	22 Uni White	302642
				31 Mystic Grey	302605
				32 Sapphire Blue	302606
			Cream	31 Mystic Grey	302625
Anthracite	31 Mystic Grey	302631			
5.50 m	2.75 m	54.0 kg	Anodised	31 Mystic Grey	302617
				32 Sapphire Blue	301618
			White	22 Uni White	302643
				31 Mystic Grey	302607
				32 Sapphire Blue	302608
			Cream	31 Mystic Grey	302627
Anthracite	31 Mystic Grey	302633			
6.00 m	2.75 m	57.6 kg	Anodised	31 Mystic Grey	302619
				32 Sapphire Blue	302620
			White	22 Uni White	302644
				31 Mystic Grey	302609
				32 Sapphire Blue	302610
			Cream	31 Mystic Grey	302629
Anthracite	31 Mystic Grey	302635			

### ACCESSORIES

- Thule Wall Adapters
- Thule Motor Kit TO 8000
- Thule LED Strip
- Thule Tension Rafter G2
- Thule 3rd Support Leg
- Thule Hold Down Kit
- Thule Hold Down Side Strap Kit
- Thule Sealing Rubber
- Thule Gutter
- Wall switch for TO 8000 EM 230V
- Thule Sun Blocker G2 Front
- Thule Sun Blocker G2 Side
- Thule Rain Blocker G2 Front
- Thule Rain Blocker G2 Side
- Thule View Blocker Front
- Thule Windscreen
- Thule Panorama
- Thule Residence G3
- Thule QuickFit

### MAINTENANCE

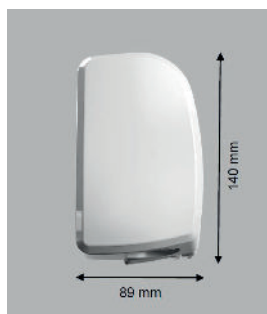
- Thule PVC Cleaner
- Thule Repair Patch

# Thule 4200

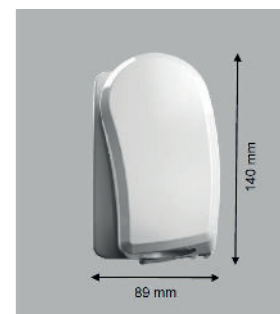


## INFO

- Installation Wall mounting
- Length 2.60 m - 4.50 m
- Projection 2.00 m - 2.50 m
- Cassette White  
Anodised  
Anthracite
- Fabric 31 - Mystic Grey
- Weight 18.4 kg - 27.6 kg



T 4200 - standard version



T 4200 - automotive version

## FEATURES

- Sleek design to obtain the best integration on the motorhome or compact van through new, vehicle-specific end cap shapes (automotive/standard)
- Easy-to-use telescopic hand crank
- New, easy-to-apply patented sealing concept
- Awning lengths of 4.00 m and 4.50 m have a high-quality Thule Tension Rafter G2 supplied as standard. Pre-installed Tension Rafter pieces for maximum comfort
- Perfect clamping force support leg
- Improved storage of support legs in the lead rail
- Integrated anti-rattling solutions
- Flat adapter delivered as standard. Special adapters for wall mounting need to be ordered separately
- Patented roller tube support for better fabric tension and reduced wrinkling of the fabric
- Easy roller tube adjustment: perfect closing of the cassette on the side opposite to the gear
- The oval support legs are dropped vertically to reduce the risk of damaging the vehicle wall
- Suitable for a slim and round design
- Lightest of its category: 18.4 kg for 2.60 m awning
- Contemporary look

## ACCESSORIES

- Thule Wall Adapters
- Thule LED Strip
- Thule Tension Rafter G2
- Thule Hold Down Kit
- Thule Hold Down Side Strap Kit
- Thule Sealing Rubber
- Thule Gutter
- Thule Sun Blocker G2 Front
- Thule Sun Blocker G2 Side
- Thule Rain Blocker G2 Front
- Thule Rain Blocker G2 Side
- Thule View Blocker G2 Side
- Thule View Blocker Front
- Thule Windscreen
- Thule Residence G3
- Thule QuickFit

## MAINTENANCE

- Thule PVC Cleaner
- Thule Repair Patch

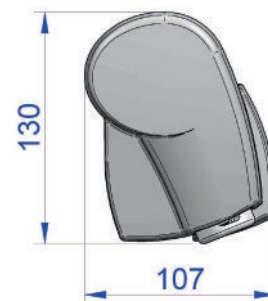
THULE 4200						
LENGTH	END CAP VARIANT	PROJECTION	WEIGHT	FABRIC	CASSETTE	SKU N°
2.60 m	automotive	2.00 m	18.4kg	31 - Mystic Grey	White	302800
					Anodised	302810
					Anthracite	302820
3.00 m	automotive	2.50 m	21.1 kg	31 - Mystic Grey	White	302802
					Anodised	302812
					Anthracite	302822
3.50 m	standard	2.50 m	24.2 kg	31 - Mystic Grey	White	302804
					Anodised	302814
					Anthracite	302824
4.00 m	standard	2.50 m	26.8 kg	31 - Mystic Grey	White	302806
					Anodised	302816
					Anthracite	302826
4.50 m	standard	2.50 m	27.6 kg	31 - Mystic Grey	White	302808
					Anodised	302818
					Anthracite	302828

# Thule Omnistor 5102



## INFO

- Installation Attached to the existing roof rail (vehicles original T-track)
- Length 2.60 m
- Projection 2.00 m
- Cassette Light Grey  
Anthracite: matching the colour of bumper & door handles
- Fabric 31 - Mystic Grey
- Weight 19.8 kg



## FEATURES

- Attached to the existing roof rail using the supplied adapters (only suitable for Volkswagen Multivan)
- Awning with specific adapter for Volkswagen California is only to obtain via Volkswagen dealers
- RHD variant available for right hand driven vehicles
- Ideal form & size to allow public parking's entrance (height: max. 2.00 m)
- Thule Quick-Lock: user-friendly system to help you set up and adjust the support legs to the right heights
- Optional Thule Residence G3 tent to increase living space by 5 m<sup>2</sup>
- Only for short wheel base models

## ACCESSORIES

- Thule Wall Adapters
- Thule Hold Down Kit
- Thule Hold Down Side Strap Kit
- Thule Gutter
- Thule LED Strip
- Thule Sun Blocker G2 Front
- Thule Sun Blocker G2 Side
- Thule Rain Blocker G2 Front
- Thule Rain Blocker G2 Side
- Thule View Blocker Front
- Thule Windscreen
- Thule Residence G3

## MAINTENANCE

- Thule PVC Cleaner
- Thule Repair Patch

THULE OMNISTOR 5102				
LENGTH	PROJECTION	CASSETTE	FABRIC	SKU N°
2.60 m	2.00 m	Anthracite	31 Mystic Grey	303048
		Light grey		303049

# Thule 3200



## INFO

- Installation Wall mounting via adapter or onto a roof rack
- Length 1.90 m - 3.00 m
- Projection 2.50 m
- Cassette Anthracite  
Anodised (anthracite bottom + black end caps)
- Fabric 07 - Uni Grey, a soft touch, water resistant fabric with an innovative design
- Weight 12 kg - 16.9 kg



## FEATURES

- Ideal for direct mount on a selected range of minivans and roof rack installation on cars
- The awning brackets need to be bought separately
- The awning can be set up by only one person
- Installation: open the cassette and take out the tension arms. Roll out the awning manually and set up the support legs. At last, connect the tension arms with the support legs and create tension
- All awning lengths have a projection of 2.50 m, the largest projection on the market within its category
- Thule Quick-Lock: user-friendly system to help you set up and adjust the support legs to the right heights
- Exceptional stability and fabric tension

## ACCESSORIES

- Thule Adapters T 3200
- Thule Sun Blocker G2 Front
- Thule Rain Blocker G2 Front
- Thule Hold Down Side Strap Kit
- Thule Sun Blocker G2 Side
- Thule Rain Blocker G2 Side

## MAINTENANCE

- Thule PVC Cleaner
- Thule Repair Patch

THULE 3200						
LENGTH	SUPPORT LEG HEIGHT MAX *	PROJECTION	WEIGHT	CASSETTE	FABRIC	SKU N°
1.90 m	1.93 m (3 parts)	2.50 m	12 kg	Anthracite	07 Uni Grey	303005
2.30 m	2.33 m (3 parts)		13.8 kg	Anthracite		303006
2.50 m			14.7 kg	Anthracite		303007
	2.70 m		2.15 m (2 parts)	15.6 kg		Anodised
Anthracite						303008
3.00 m				16.9 kg		Anodised
		Anthracite				303009
				Anodised		303004

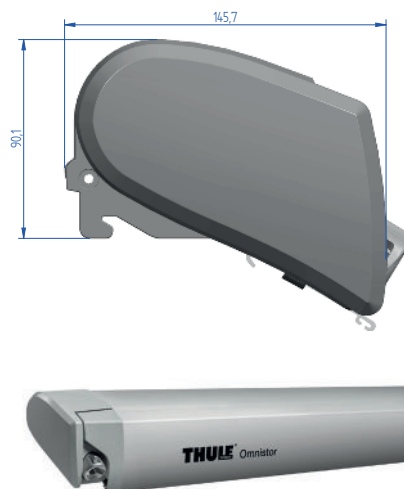
\* the height is measured from the ground to the bottom of the lead rail

# Thule Omnistor 6300



## INFO

- |                |   |
|----------------|---|
| • Installation | Roof mounting   |
| • Length       | 2.60 m - 5.00 m   |
| • Projection   | 2.00 m - 2.50 m   |
| • Cassette     | White<br>Anodised   |
| • Fabric       | Anthracite: only with fabric 31 (Mystic Grey)<br>31 - Mystic Grey<br>32 - Sapphire Blue |
| • Weight       | 20.6 kg - 35.6 kg (without Motor)<br>with motor = +1 kg                                 |



## FEATURES

- Roof-mounted awning suitable for motorhomes, caravans and vans (mid-class)
- Compatible with existing adapter brackets and accessories (need to be ordered separately)
- Installation using the roof top adapter (adhesive) or by means of transverse profiles
- Drilling through the roof is not necessary due to the mechanical fixation in the adapters
- Caravan rail remains free for other accessories: tent
- Perfect fabric tension: sturdy spring arms with patented integrated tension arms ensure a perfectly tensioned awning fabric for increased wind resistance. Standard integrated for awning lengths from 3.75 m and more, optional for awning lengths 3.00 m, 3.25 m and 3.50 m
- Thule Quick-Lock: user-friendly system to help you set up and adjust the support legs to the right heights
- Thule look:
  - matches the contemporary RV design
  - better integrated on the vehicle roof
- Optional 12V DC motor:
  - operate awning lengths from 3.00 m and more without any effort
  - control is made with a switch through one touch command
  - integrated manual override with hand crank in case of power failure
  - can be retrofit installed as an accessory on a manual awning (+ 1 kg and + 3 cm in length)
- Patented roller tube support for better fabric tension and reduced wrinkling of the fabric
- Easy roller tube adjustment: perfect closing of the cassette on the side opposite to the gear
- Improved masking and finish of the technical parts
- Integrated anti-rattling solutions
- Integrated fixation for an optional 3rd support leg to ensure a higher stability (from 3.75 m awning length)
- Increased reliability: built-in durable systems for long life performance create a higher stability which allows awning lengths up to 5.00 m to suit larger vehicles
- Thule Adjustable Pitch system: the incline of the awning fabric can be set as you please to easily open the door of your vehicle without touching the awning fabric
- Ready for accessories: e.g. Thule LED Mounting Rail - Thule Awning Fixation Kit TO 6300/9200

## ACCESSORIES

- Thule Roof Adapters
- Thule Motor Kit TO 6300
- Thule Tent LED Mounting Rail TO 6300
- Thule LED Mounting Rail TO 6300/9200
- Thule LED Strip
- Thule Tension Rafter G2
- Thule 3rd Support Leg
- Thule Hold Down Kit
- Thule Hold Down Side Strap Kit
- Thule EPDM Sealing
- Thule Gutter
- Thule Sun Blocker G2 Front
- Thule Sun Blocker G2 Side
- Thule Rain Blocker G2 Front
- Thule Rain Blocker G2 Side
- Thule View Blocker Front
- Thule Windscreen
- Thule Veduta
- Thule Panorama
- Thule Residence G3
- Thule QuickFit
- Thule Awning Fixation Kit TO 6300/9200

## MAINTENANCE

- Thule PVC Cleaner
- Thule Repair Patch

THULE OMNISTOR 6300 - MANUAL					
LENGTH	PROJECTION	WEIGHT	CASSETTE	FABRIC	PRODUCT N°
2.60 m	2.00 m	20.6 kg	White	31 Mystic Grey	302100
				32 Sapphire Blue	302101
			Anthracite	31 Mystic Grey	302300
3.00 m	2.50 m	24.1 kg	White	31 Mystic Grey	302120
				32 Sapphire Blue	302121
			Anthracite	31 Mystic Grey	302320
3.25 m	2.50 m	25.1 kg	White	31 Mystic Grey	302130
				32 Sapphire Blue	302131
			Anodised	31 Mystic Grey	302230
				32 Sapphire Blue	302231
			Anthracite	31 Mystic Grey	302330
3.50 m	2.50 m	26.8 kg	White	31 Mystic Grey	302140
				32 Sapphire Blue	302141
			Anodised	31 Mystic Grey	302240
				32 Sapphire Blue	302241
			Anthracite	31 Mystic Grey	302340
3.75 m	2.50 m	28.5 kg	White	31 Mystic Grey	302150
				32 Sapphire Blue	302151
			Anodised	31 Mystic Grey	302250
				32 Sapphire Blue	302251
			Anthracite	31 Mystic Grey	302350
4.00 m	2.50 m	30.5 kg	White	31 Mystic Grey	302160
				32 Sapphire Blue	302161
			Anodised	31 Mystic Grey	302260
				32 Sapphire Blue	302261
			Anthracite	31 Mystic Grey	302360
4.25 m	2.50 m	31.8 kg	White	31 Mystic Grey	302170
				32 Sapphire Blue	302171
			Anthracite	31 Mystic Grey	302370

LENGTH	PROJECTION	WEIGHT	CASSETTE	FABRIC	PRODUCT N°
4.50 m	2.50 m	33 kg	White	31 Mystic Grey	302180
				32 Sapphire Blue	302181
			Anodised	31 Mystic Grey	302280
				32 Sapphire Blue	302281
			Anthracite	31 Mystic Grey	302380
			5.00 m	2.50 m	35.6 kg
32 Sapphire Blue	302191				
Anodised	31 Mystic Grey	302290			
	32 Sapphire Blue	302291			
Anthracite	31 Mystic Grey	302390			

THULE OMNISTOR 6300 - WITH MOTOR					
LENGTH	PROJECTION	WEIGHT	CASSETTE	FABRIC	PRODUCT N°
3.03 m	2.50 m	25.1 kg	White	31 Mystic Grey	302125
			Anthracite		302325
3.28 m	2.50 m	26.1 kg	White	31 Mystic Grey	302135
			Anodised		302235
			Anthracite		302335
3.53 m	2.50 m	27.8 kg	White	31 Mystic Grey	302145
			Anodised		302245
			Anthracite		302345
3.78 m	2.50 m	29.5 kg	White	31 Mystic Grey	302155
			Anodised		302255
			Anthracite		302355
4.03 m	2.50 m	31.5 kg	White	31 Mystic Grey	302165
			Anodised		302265
			Anthracite		302365
4.28 m	2.50 m	32.8 kg	White	31 Mystic Grey	302175
			Anodised		302375
4.53 m	2.50m	34 kg	White	31 Mystic Grey	302185
			Anodised		302285
			Anthracite		302385
5.03 m	2.50 m	36.6 kg	White	31 Mystic Grey	302195
			Anodised		302295
			Anthracite		302395

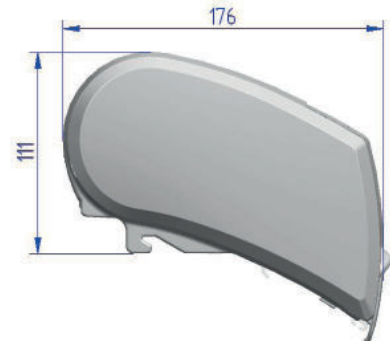
THULE OMNISTOR 6300 - AWNING PACKAGE FOR DUCATO   JUMPER   BOXER H2 > 2007 INCL. ADAPTER SET, EPDM SEALING PROFILE AND ADAPTER COVER					
DUCATO	LENGTH	PROJECTION	CASSETTE	FABRIC	PRODUCT N°
H2L2	3.25 m	2.50	Anodised - black end caps	31 - Mystic Grey	302420
			Anodised - grey end caps		302425
			Anthracite		302430
			White		302439
H2L3	3.75 m	2.50	Anodised - black end caps	31 - Mystic Grey	302421
			Anodised - grey end caps		302426
			Anthracite		302431
			White		302440
H2L4	4.00 m	2.50	Anodised - black end caps	31 - Mystic Grey	302422
			Anodised - grey end caps		302427
			Anthracite		302432
			White		302441

# Thule Omnistor 9200



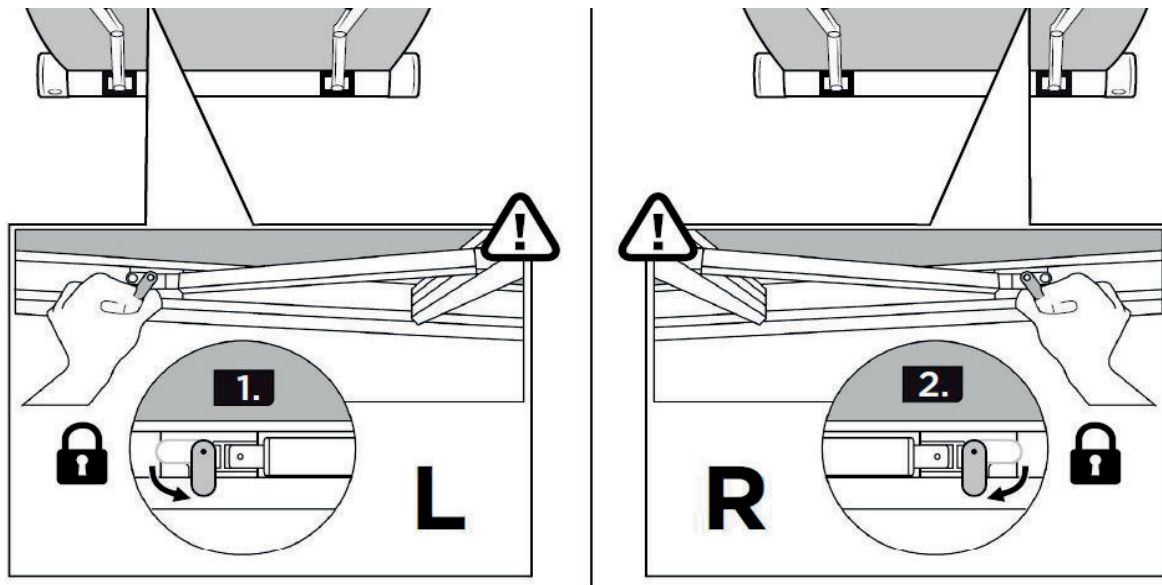
## INFO

- |                |  |
|----------------|--|
| • Installation | Roof mounting  |
| • Length       | 4.00 m - 6.00 m  |
| • Projection   | 3.00 m   |
| • Cassette     | White<br>Anodised  |
| • Fabric       | Cream: only with fabric 31 - Mystic Grey<br>31 - Mystic Grey<br>32 - Sapphire Blue<br>22 - Uni White |
| • Weight       | 42.4 kg - 57.6 kg (without motor)<br>45.4 kg - 60.6 kg (with motor)                                  |



## PERFECT FABRIC TENSION

- Improved stability of the complete awning thanks to the integration of automatic tension rafters in both spring arms
- The tension rafters can easily be locked when maximal tension is reached by turning both buttons in the lead rail with 90°
- The perfect tension is achieved by retracting the fabric with the remote control or hand crank
- The new, more powerful motor improves this fabric tension even more when customers want to combine additional Thule accessories



## FEATURES

- Roof-mounted awning suitable for caravans and motorhomes (A-class)
- Compatible with existing adapter brackets (need to be ordered separately)
- Installation using the roof top adapter (adhesive) or by means of transverse profiles
- Drilling through the roof is not necessary
- Caravan rail remains free for other accessories: tent
- Largest projection on the market with a superior fabric tension
- Top of the range stability for longer lengths
- Patented roller tube support for better fabric tension and reduced wrinkling of the fabric
- Improved masking and finish of the technical parts

- Integrated anti-rattling solutions
- Increased reliability: built-in durable systems for long life performance
- Thule design: contemporary look, perfect integration on RV's
- Ready for accessories: e.g. Thule LED Mounting Rail - Thule Awning Fixation Kit TO 6300/200/9200
- Spring arms:
  - reinforced with a double steel cable
  - the automatically deployed tension rafters absorb movement to ensure stability and wind-resistance
- Optional 230 VAC EM motor with remote control:
  - operate the awning without any effort
  - electronic system ensures a perfect closing of the front profile
  - mechanical settings prevent the awning fabric being rolled up in the wrong way
  - locking system: prevents the awning from opening while the vehicle is moving, works automatically when closing the awning
  - a safety device enables you to operate the awning manually in case of electricity failure
  - can be retrofit installed as an accessory on a manual Thule Omnistor 9200 awning (+ 2 kg)
  - possibility to operate with optional wall switch
- Thule Quick-Lock: user-friendly system to help you set up and adjust the support legs to the right heights

THULE OMNISTOR 9200 - MANUAL					
LENGTH	PROJECTION	WEIGHT	CASSETTE	FABRIC	SKU N°
4.00 m	3.00 m	42.4 kg	Anodised	31 Mystic Grey	306640
				32 Sapphire Blue	306641
			Cream	31 Mystic Grey	306660
				White	22 Uni White
			31 Mystic Grey		306602
			32 Sapphire Blue	306603	
4.50 m	3.00 m	45.6 kg	Anodised	31 Mystic Grey	306642
				32 Sapphire Blue	306643
			Cream	31 Mystic Grey	306662
				White	22 Uni White
			31 Mystic Grey		306606
			32 Sapphire Blue	306607	
5.00 m	3.00 m	50.2 kg	Anodised	31 Mystic Grey	306644
				32 Sapphire Blue	306645
			Cream	31 Mystic Grey	306664
				White	22 Uni White
			31 Mystic Grey		306610
			32 Sapphire Blue	306611	
5.50 m	3.00 m	53.6 kg	Anodised	31 Mystic Grey	306646
				32 Sapphire Blue	306647
			Cream	31 Mystic Grey	306666
				White	22 Uni White
			31 Mystic Grey		306614
			32 Sapphire Blue	306615	
6.00 m	3.00 m	57.6 kg	Anodised	31 Mystic Grey	306648
				32 Sapphire Blue	306649
			Cream	31 Mystic Grey	306668
				White	22 Uni White
			31 Mystic Grey		306618
			32 Sapphire Blue	306619	

THULE OMNISTOR 9200 - WITH MOTOR					
LENGTH	PROJECTION	WEIGHT	CASSETTE	FABRIC	SKU N°
4.00 m	3.00 m	45.4 kg	Anodised	31 Mystic Grey	302661
				32 Sapphire Blue	302662
			Cream	31 Mystic Grey	302671
			White	22 Uni White	302680
				31 Mystic Grey	302651
32 Sapphire Blue	302652				
4.50 m	3.00 m	48.6 kg	Anodised	31 Mystic Grey	302663
				32 Sapphire Blue	302664
			Cream	31 Mystic Grey	302673
			White	22 Uni White	302681
				31 Mystic Grey	302653
32 Sapphire Blue	302654				
5.00 m	3.00 m	53.2 kg	Anodised	31 Mystic Grey	302665
				32 Sapphire Blue	302666
			Cream	31 Mystic Grey	302675
			White	22 Uni White	302682
				31 Mystic Grey	302655
32 Sapphire Blue	302656				
5.50 m	3.00 m	56.6 kg	Anodised	31 Mystic Grey	302667
				32 Sapphire Blue	302668
			Cream	31 Mystic Grey	302677
			White	22 Uni White	302683
				31 Mystic Grey	302657
32 Sapphire Blue	302658				
6.00 m	3.00 m	60.6 kg	Anodised	31 Mystic Grey	302669
				32 Sapphire Blue	302670
			Cream	31 Mystic Grey	302679
			White	22 Uni White	302684
				31 Mystic Grey	302659
32 Sapphire Blue	302660				

### ACCESSORIES

- Thule Roof Adapters
- Thule Motor Kit TO 9200
- Thule LED Mounting Rail TO 6300/6200/9200
- Thule LED Strip
- Thule Tension Rafter G2
- Thule 3rd Support Leg
- Thule Hold Down Kit
- Thule Hold Down Side Strap Kit
- Thule EPDM Sealing
- Thule Gutter
- Wall switch for TO 8000 EM 230V
- Thule Sun Blocker G2 Front
- Thule Sun Blocker G2 Side
- Thule Rain Blocker G2 Front
- Thule Rain Blocker G2 Side
- Thule View Blocker Front
- Thule Windscreen
- Thule Panorama
- Thule Residence G3
- Thule QuickFit
- Thule Awning Fixation Kit TO 6300/6200/9200

### MAINTENANCE

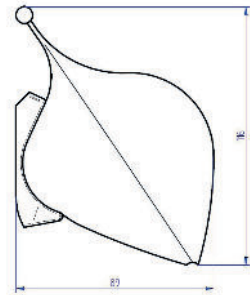
- Thule PVC Cleaner
- Thule Repair Patch

# Thule Omnistor 1200



## INFO

- Installation Slides into the caravan rail
- Length 2.30 m - 5.50 m
- Projection 2.00 m - 2.50 m
- Bag White
- Fabric 31 - Mystic Grey  
32 - Sapphire Blue
- Weight 9 kg - 20 kg



## FEATURES

- Exceptional stability for a bag awning
- Largest projection for a bag awning
- Top finish of the bag and technical parts
- The awning is stored in a PVC-sleeve with a sewn rope which simply slides into the caravan rail. Open the sleeve and unroll the awning
- Sturdy roller tube (diam. 62 mm) with integrated support legs and tension arms
- The simultaneous swing-out of the support legs and tension arms enables an easy and fast set-up of the awning
- Exclusive tensioning system with pump-buckle technology for a perfect fabric tension
- Thule Quick-Lock: user-friendly system to help you set up and adjust the support legs to the right heights
- Clever integrated tension arm support kit spreads the load safely on the caravan wall
- A Thule QuickFit tent can easily be installed with the optional Thule Awning Fixation Kit TO 1200 (307063)
- Integrated fixation for an optional 3rd support leg to ensure a higher stability (from 3.50 m awning length)
- Awning lengths from 4.00 m and more have a tension rafter supplied as standard

## ACCESSORIES

- Thule Awning Fixation Kit TO 1200
- Thule Tension Rafter G2 TO 1200
- Thule Hold Down Kit
- Thule Hold Down Side Strap Kit
- Thule 3rd Support Leg
- Thule Sun Blocker G2 Front
- Thule Sun Blocker G2 Side
- Thule Rain Blocker G2 Front
- Thule Rain Blocker G2 Side
- Thule View Blocker Front
- Thule Windscreen
- Thule QuickFit

## MAINTENANCE

- Thule PVC Cleaner
- Thule Repair Patch

THULE OMNISTOR 1200					
LENGTH	PROJECTION	NET WEIGHT	BAG	FABRIC	SKU N°
2.30 m	2.00 m	9 kg	White	31 Mystic Grey	307256
				32 Sapphire Blue	307255
2.60 m	2.20 m	10.4 kg	White	31 Mystic Grey	307258
				32 Sapphire Blue	307257
3.00 m	2.50 m	12 kg	White	31 Mystic Grey	307260
				32 Sapphire Blue	307259
3.25 m	2.50 m	12.6 kg	White	31 Mystic Grey	307262
				32 Sapphire Blue	307261
3.50 m	2.50 m	13.4 kg	White	31 Mystic Grey	307264
				32 Sapphire Blue	307263
3.75 m	2.50 m	14.2 kg	White	31 Mystic Grey	307266
				32 Sapphire Blue	307265
4.00 m	2.50 m	15 kg	White	31 Mystic Grey	307268
				32 Sapphire Blue	307267
4.25 m	2.50 m	15.8 kg	White	31 Mystic Grey	307270
				32 Sapphire Blue	307269
4.50 m	2.50 m	16.6 kg	White	31 Mystic Grey	307272
				32 Sapphire Blue	307271
5.00 m	2.50 m	18.4 kg	White	31 Mystic Grey	307363
				32 Sapphire Blue	307364
5.50 m	2.50 m	20 kg	White	31 Mystic Grey	307365
				32 Sapphire Blue	307366