


# Awnings

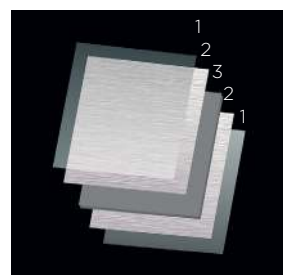
| GENERAL INFO  |   |
|---|---|
| Awnings - Fabrics                                   | 2 |
| Awnings - User manual                               | 2 |
| Awnings - Fit Guide                                 | 3 |
| Awnings - Installation - Operation - Specifications | 4 |
| Awnings - Accessories                               | 6 |

| AWNINGS  |    |
|--|----|
| Thule Omnistor 5200  | 8  |
| Thule Omnistor 8000  | 12 |
| Thule Omnistor 4900  | 16 |
| Thule Omnistor 5102  | 18 |
|  Thule 3200 | 19 |
| Thule Omnistor 9200  | 20 |
| Thule Omnistor 6300  | 24 |
| Thule Omnistor 1200  | 28 |

| AWNING ADAPTERS                   |    |
|-----------------------------------|----|
| Adapters - Fit Guide              | 30 |
| Adapters for wall-mounted awnings | 31 |
| Adapters for roof-mounted awnings | 43 |
| Adapters for vans                 | 49 |

# Awnings - Fabrics

- The top quality PVC fabric used for Thule Omnistor awnings is printed on both sides and has a coating. This coating keeps the fabric colour fixed, watertight, washable and durable. It not only ensures a high degree of scratch-resistance but also increases the UV-resistance and heat-resistance properties. The fabric may be rolled up for a few days, even if it is wet
- Welded joints allow a perfect waterproof and longlasting awning
- The Thule Omnistor PVC fabric consists of several layers:
  - 1 - Top coat of the PVC protects against scratching and fading
  - 2 - Vinyl with painted pattern
  - 3 - High strength polyester scrim
  - 2 - Vinyl with painted pattern
  - 1 - Top coat of the PVC protects against scratching and fading
- Our fabric pattern is printed along both sides and over the entire surface (31 & 32)
- The fabric can be cleaned using the Thule PVC Cleaner
- Depending on the type of awning, you can choose different patterns for your awning fabric:
  - 31 - Mystic Grey
  - 32 - Sapphire Blue
  - 04 - Alaska Grey
  - 03 - Blue Sky
  - 22 - Uni Grey
  - (see catalogue B2C)



# Awnings - User Manual

- All user manuals are available on our website: [www.thule.com](http://www.thule.com)
- > Go to the product page
  - > Go to "Downloads"

# Awnings - Fit Guide

|                                     | Motor-home | Caravan | Van | Minivan | Length                | Projection            | Cassette finishes                      | Motor        |
|-------------------------------------|------------|---------|-----|---------|-----------------------|-----------------------|--|--------------|
| <b>Wall-mounted Awnings</b>         |            |         |     |         |                       |                       |  |              |
| Thule Omnistor 5200                 | •          | •       | •   | •       | 1.92 m<br>-<br>5.02 m | 1.40 m<br>-<br>2.50 m | Anodised White<br>Anthra-cite          | •<br>12 VDC* |
| Thule Omnistor 8000                 | •          | •       |     |         | 4.00 m<br>-<br>6.00 m | 2.75 m                | Anodised White<br>Cream<br>Anthra-cite | •<br>230 VAC |
| Thule Omnistor 4900                 | •          | •       | •   | •       | 2.60 m<br>-<br>4.50 m | 2.00 m<br>-<br>2.50 m | Anodised White<br>Anthra-cite          |              |
| Thule Omnistor 5102<br>for VW T5/T6 |            |         |     | •       | 2.60 m                | 2.00 m                | Light Grey<br>Anthra-cite              |              |
| <b>New</b><br>Thule 3200            |            |         |     | •       | 1.90 m<br>-<br>3.00 m | 2.50 m                | Anodised<br>Anthra-cite                |              |
| <b>Roof-mounted Awnings</b>         |            |         |     |         |                       |                       |  |              |
| Thule Omnistor 9200                 | •          | •       |     |         | 4.00 m<br>-<br>6.00 m | 3.00 m                | Anodised White<br>Cream                | •<br>230 VAC |
| Thule Omnistor 6300                 | •          | •       | •   |         | 2.60 m<br>-<br>5.00 m | 2.00 m<br>-<br>2.50 m | Anodised White<br>Anthra-cite          | •<br>12 VDC* |
| <b>Rail-mounted Awnings</b>         |            |         |     |         |                       |                       |  |              |
| Thule Omnistor 1200                 |            | •       |     |         | 2.30 m<br>-<br>5.50 m | 2.00 m<br>-<br>2.50 m | White<br>(bag)                         |              |

\* Only for awning lengths from 3.00 m and more

# Awnings - Overview

## Installation - Operation - Specifications



### WALL-MOUNTED

| TO 5200 | TO 8000 | TO 4900 | TO 5102 | T 3200 |
|---------|---------|---------|---------|--------|
|---------|---------|---------|---------|--------|

| INSTALLATION                      |   |   |   |       |   |
|-----------------------------------|---|---|---|-------|---|
| On a motorhome                    | • | • | • |       |   |
| On a caravan                      | • | • | • |       |   |
| On a van                          | • |   | • |       |   |
| On a minivan                      | • |   | • | •     | • |
| Installation on the wall          | • | • | • | •     | • |
| Installation on the roof          |   |   |   |       |   |
| Installation in the caravan rail  | • | • |   |       |   |
| Installation on a roof rack       |   |   |   |       | • |
| Flat adapter supplied as standard | • | • | • | • *** |   |

| OPERATION            |             |              |   |   |   |
|----------------------|-------------|--------------|---|---|---|
| Fast gear            | •           | •            |   | • |   |
| By hand              |             |              |   |   | • |
| Available with motor | •<br>12 VDC | •<br>230 VAC |   |   |   |
| Spring arms          | •           | •            | • | • |   |
| Manual tension arms  |             |              |   |   | • |

| SPECIFICATIONS                      |         |         |         |         |         |
|-------------------------------------|---------|---------|---------|---------|---------|
| Minimum box length                  | 1.92 m  | 4.00 m  | 2.60 m  | 2.60 m  | 1.90 m  |
| Maximum box length (without motor)* | 5.02 m  | 6.00 m  | 4.50 m  | 2.60 m  | 3.00 m  |
| Minimum projection                  | 1.40 m  | 2.75 m  | 2.00 m  | 2.00 m  | 2.50 m  |
| Maximum projection **               | 2.50 m  | 2.75 m  | 2.50 m  | 2.00 m  | 2.50 m  |
| Minimum weight                      | 14.2 kg | 41.4 kg | 17.5 kg | 19.8 kg | 12 kg   |
| Maximum weight (without motor)      | 32.8 kg | 55.4 kg | 27.8 kg | 19.8 kg | 16.9 kg |
| Integrated tension arms             | •       | •       |         |         |         |
| Quick-Lock system                   | •       | •       |         | •       | •       |

\* The fabric is approximately 20 cm shorter than the box length

\*\* The maximum projection is only possible in combination with longer lengths. Please consult the technical specifications for more information. Projection is measured from rear of awning box to the front of the lead rail

\*\*\* Special brackets for VW T5

# Awnings - Overview

## Installation - Operation - Specifications

| ROOF-MOUNTED |         | CARAVAN RAIL |
|--------------|---------|--------------|
| TO 9200      | TO 6300 | TO 1200      |

| INSTALLATION                      |   |   |   |
|-----------------------------------|---|---|---|
| On a motorhome                    | • | • |   |
| On a caravan                      | • | • | • |
| On a van                          |   | • |   |
| On a minivan                      |   |   |   |
| Installation on the wall          |   |   |   |
| Installation on the roof          | • | • |   |
| Installation in the caravan rail  |   |   | • |
| Installation on a roof rack       |   |   |   |
| Flat adapter supplied as standard |   |   |   |

| OPERATION            |              |             |   |
|----------------------|--------------|-------------|---|
| Fast gear            | •            | •           |   |
| By hand              |              |             | • |
| Available with motor | •<br>230 VAC | •<br>12 VDC |   |
| Spring arms          | •            | •           |   |
| Manual tension arms  |              |             | • |

| SPECIFICATIONS                      |         |         |        |
|-------------------------------------|---------|---------|--------|
| Minimum box length                  | 4.00 m  | 2.60 m  | 2.30 m |
| Maximum box length (without motor)* | 6.00 m  | 5.00 m  | 5.50 m |
| Minimum projection                  | 3.00 m  | 2.00 m  | 2.00 m |
| Maximum projection **               | 3.00 m  | 2.50 m  | 2.50 m |
| Minimum weight                      | 42.4 kg | 20.6 kg | 9 kg   |
| Maximum weight (without motor)      | 57.6 kg | 35.6 kg | 20 kg  |
| Integrated tension arms             | •       | •       |        |
| Quick-Lock system                   | •       | •       | •      |

\* The fabric is approximately 20 cm shorter than the box length

\*\* The maximum projection is only possible in combination with longer lengths. Please consult the technical specifications for more information. Projection is measured from rear of awning box to the front of the lead rail

# Awnings - Overview

## Accessories



### WALL-MOUNTED

| 5200 | 8000 | 4900 | 5102 | 3200 |
|------|------|------|------|------|
|------|------|------|------|------|

| ADAPTERS   |   |   |    |               |    |
|--|---|---|----|---------------|----|
| Thule Roof Adapters                              |   |   |    |               |    |
| Thule Wall Adapters                              | • | • | •  | •<br>included |    |
| SMART PANELS                                     |   |   |    |               |    |
| Thule Rain Blocker G2 Front                      | • | • | •  | •*            | •* |
| Thule Rain Blocker G2 Side                       | • | • | •  | •*            | •* |
| Thule Sun Blocker G2 Front                       | • | • | •  | •             | •  |
| Thule Sun Blocker G2 Side                        | • | • | •  | •             | •* |
| Thule View Blocker G2 Side                       | • |   | •  |               |    |
| Thule View Blocker Front                         | • | • | •  | •             |    |
| Thule Rain Blocker Side                          |   |   |    |               |    |
| Thule Windscreen                                 | • | • | •  | •             |    |
| TENTS  |   |   |    |               |    |
| Thule Veduta                                     |   |   |    |               |    |
| Thule Panorama                                   | • | • |    |               |    |
| Thule Residence G3                               | • | • | •  | •*            |    |
| Thule QuickFit                                   | • | • | •  |               |    |
| WIND PROTECTION                                  |   |   |    |               |    |
| Thule Hold Down Kit                              | • | • | •  | •             |    |
| Thule Hold Down Side Strap Kit                   | • | • | •  | •             | •  |
| Thule Tension Rafter G2                          | • | • | •  |               |    |
| Thule 3 <sup>rd</sup> Support Leg (as of 3.75 m) | • | • |    |               |    |
| SEALINGS   |   |   |    |               |    |
| Thule Sealing Rubber                             | • | • | •* |               |    |
| Thule EPDM Sealing                               |   |   |    |               |    |
| Thule Gutter                                     | • | • | •  | •             |    |
| MOTORISATION                                     |   |   |    |               |    |
| Thule Motor Kit TO 8000/9200 (230 VAC)           |   | • |    |               |    |
| Thule Motor Kit TO 5200 (12V)                    | • |   |    |               |    |
| Thule Motor Kit TO 6300 (12V)                    |   |   |    |               |    |
| LIGHTING   |   |   |    |               |    |
| Thule LED Strip                                  | • | • | •  | •             |    |
| Thule LED Strip Sideways                         |   |   |    |               |    |
| Thule LED Mounting Rail TO 6300/9200             |   |   |    |               |    |
| Thule Tent LED Mounting Rail TO 5200             | • |   |    |               |    |
| Thule Tent LED Mounting Rail TO 6300             |   |   |    |               |    |
| MAINTENANCE                                      |   |   |    |               |    |
| Thule PVC Cleaner                                | • | • | •  | •             | •  |
| Thule Repair Patch                               | • | • | •  | •             | •  |

\* Specific model

# Awnings - Overview

## Accessories

| ROOF-MOUNTED |      | CARAVAN RAIL |
|--------------|------|--------------|
| 9200         | 6300 | 1200         |

| ADAPTERS   |   |   |    |
|--|---|---|----|
| Thule Roof Adapters                              | • | • |    |
| Thule Wall Adapters                              |   |   |    |
| SMART PANELS                                     |   |   |    |
| Thule Rain Blocker G2 Front                      | • | • | •  |
| Thule Rain Blocker G2 Side                       | • | • | •* |
| Thule Sun Blocker G2 Front                       | • | • | •  |
| Thule Sun Blocker G2 Side                        | • | • | •* |
| Thule View Blocker G2 Side                       |   | • |    |
| Thule View Blocker Front                         | • | • | •  |
| Thule Rain Blocker Side                          |   |   |    |
| Thule Windscreen                                 | • | • | •  |
| TENTS  |   |   |    |
| Thule Veduta                                     |   | • |    |
| Thule Panorama                                   | • | • |    |
| Thule Residence G3                               | • | • |    |
| Thule QuickFit                                   | • | • | •  |
| WIND PROTECTION                                  |   |   |    |
| Thule Hold Down Kit                              | • | • | •  |
| Thule Hold Down Side Strap Kit                   | • | • | •  |
| Thule Tension Rafter G2                          | • | • | •* |
| Thule 3 <sup>rd</sup> Support Leg (as of 3.75 m) | • | • | •  |
| SEALINGS   |   |   |    |
| Thule Sealing Rubber                             |   |   |    |
| Thule EPDM Sealing                               | • | • |    |
| Thule Gutter                                     | • | • | •  |
| MOTORISATION                                     |   |   |    |
| Thule Motor Kit TO 8000/9200 (230 VAC)           | • |   |    |
| Thule Motor Kit TO 5200 (12V)                    |   |   |    |
| Thule Motor Kit TO 6300 (12V)                    |   | • |    |
| LIGHTING   |   |   |    |
| Thule LED Strip                                  | • | • |    |
| Thule LED Strip Sideways                         |   | • |    |
| Thule LED Mounting Rail TO 6300/9200             | • | • |    |
| Thule Tent LED Mounting Rail TO 5200             |   |   |    |
| Thule Tent LED Mounting Rail TO 6300             | • | • |    |
| MAINTENANCE                                      |   |   |    |
| Thule PVC Cleaner                                | • | • | •  |
| Thule Repair Patch                               | • | • | •  |

\* Specific model for Thule Omnistor 1200

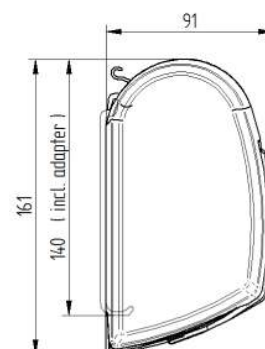
# Thule Omnistor 5200



The new standard for RV awnings

## INFO

- Installation Wall mounting
- Length 1.92 m - 5.02 m
- Projection 1.40 m - 2.50 m
- Cassette White
- Fabric
  - Anodised: not with fabric 22
  - Anthracite: 2.62 m - 5.02 m - only fabric 31 - Mystic Grey
  - 31 - Mystic Grey
  - 32 - Sapphire Blue
  - 03 - Blue Sky
  - 04 - Alaska Grey
  - 22 - Uni Grey
- Weight
  - 14.2 kg - 32.8 kg (without motor)
  - 23.6 kg - 33.8 kg (with motor)



## FEATURES

- Flat adapter delivered as standard. Special adapters for wall mounting need to be ordered separately
- Perfect fabric tension: sturdy spring arms with patented integrated tension arms ensure a perfectly tensioned awning fabric for increased wind resistance. Standard integrated for awning lengths from 4.02 m and more, optional for a 3.02 m or 3.52 m awning length
- Thule Quick Release support legs:
  - sturdy metal connection parts
  - easy unlocking and storing into the lead rail of the awning
  - can be removed vertically from the lead rail: no risk of damaging the vehicle wall
  - inner arm remains blocked during the set up
- Thule Quick-Lock: user-friendly system to help you set up and adjust the support legs to the right heights
- Optional Thule Tent LED Mounting Rail TO 5200:
  - covers the gap under the awning = wall adapters are no longer visible
  - possible to mount a Thule QuickFit awning tent thanks to the integrated rail
  - possible to hang up the Thule Organizers
  - possible to add a Thule LED Strip
- Thule look:
  - matches the contemporary RV design
  - better integrated on the vehicle side
- Optional 12V DC motor:
  - operate awning lengths from 3.00 m and more without any effort
  - control is made with a switch through one touch command
  - integrated manual override with hand crank in case of power failure
  - can be retrofitted installed as an accessory on a manual Thule Omnistor 5200 from awning length 3.00 m (+ 1kg)
- Patented roller tube support for better fabric tension and reduced wrinkling of the fabric
- Easy roller tube adjustment: perfect closing of the cassette on the side opposite to the gear
- Improved masking and finish of the technical parts
- Integrated anti-rattling solutions
- Integrated fixation for an optional 3rd support leg to ensure a higher stability (from 3.75 m awning length)
- Increased reliability: built-in durable systems for long life performance
- Thule Adjustable Pitch system: the incline of the awning fabric can be set as you please to easily open the door of your vehicle without touching the awning fabric



## ACCESSORIES

- Thule Wall Adapters
- Thule Motor Kit TO 5200
- Thule Tent LED Mounting Rail TO 5200
- Thule LED Strip
- Thule Tension Arm Set TO 5200
- Thule Tension Rafter G2
- Thule 3<sup>rd</sup> Support Leg
- Thule Hold Down Kit
- Thule Hold Down Side Strap Kit
- Thule Sealing Rubber
- Thule Gutter
- Thule Sun Blocker G2 Front
- Thule Sun Blocker G2 Side
- Thule Rain Blocker G2 Front
- Thule Rain Blocker G2 Side
- Thule View Blocker G2 Side
- Thule View Blocker Front
- Thule Windscreen
- Thule Panorama
- Thule Residence G3
- Thule QuickFit

## MAINTENANCE

- Thule PVC Cleaner
- Thule Repair Patch

| THULE OMNISTOR 5200 - MANUAL |            |            |            |                  |        |
|------------------------------|------------|------------|------------|------------------|--------|
| LENGTH                       | PROJECTION | NET WEIGHT | CASSETTE   | FABRIC           | SKU NO |
| 1.92 m                       | 1.40 m     | 14.2 kg    | White      | 03 Blue Sky      | 301001 |
|                              |            |            |            | 04 Alaska Grey   | 301002 |
|                              |            |            |            | 22 Uni Grey      | 301005 |
|                              |            |            |            | 31 Mystic Grey   | 301003 |
|                              |            |            |            | 32 Sapphire Blue | 301004 |
|                              |            |            | Anodised   | 31 Mystic Grey   | 301103 |
| 2.32 m                       | 1.80 m     | 17 kg      | White      | 03 Blue Sky      | 301011 |
|                              |            |            |            | 04 Alaska Grey   | 301012 |
|                              |            |            |            | 22 Uni Grey      | 301015 |
|                              |            |            |            | 31 Mystic Grey   | 301013 |
|                              |            |            |            | 32 Sapphire Blue | 301014 |
|                              |            |            | Anodised   | 31 Mystic Grey   | 301113 |
| 2.62 m                       | 2.00 m     | 19 kg      | White      | 03 Blue Sky      | 301021 |
|                              |            |            |            | 04 Alaska Grey   | 301022 |
|                              |            |            |            | 22 Uni Grey      | 301025 |
|                              |            |            |            | 31 Mystic Grey   | 301023 |
|                              |            |            |            | 32 Sapphire Blue | 301024 |
|                              |            |            | Anodised   | 03 Blue Sky      | 301121 |
|                              |            |            |            | 04 Alaska Grey   | 301122 |
|                              |            |            |            | 31 Mystic Grey   | 301123 |
|                              |            |            |            | 32 Sapphire Blue | 301124 |
|                              |            |            | Anthracite | 31 Mystic Grey   | 301203 |
| 3.02 m                       | 2.50 m     | 22.6 kg    | White      | 03 Blue Sky      | 301031 |
|                              |            |            |            | 04 Alaska Grey   | 301032 |
|                              |            |            |            | 22 Uni Grey      | 301035 |
|                              |            |            |            | 31 Mystic Grey   | 301033 |
|                              |            |            |            | 32 Sapphire Blue | 301034 |
|                              |            |            | Anodised   | 03 Blue Sky      | 301131 |
|                              |            |            |            | 04 Alaska Grey   | 301132 |
|                              |            |            |            | 31 Mystic Grey   | 301133 |
|                              |            |            |            | 32 Sapphire Blue | 301134 |
|                              |            |            | Anthracite | 31 Mystic Grey   | 301213 |

| THULE OMNISTOR 5200 - MANUAL |            |            |            |                  |        |
|------------------------------|------------|------------|------------|------------------|--------|
| LENGTH                       | PROJECTION | NET WEIGHT | CASSETTE   | FABRIC           | SKU-NO |
| 3.52 m                       | 2.50 m     | 25.4 kg    | White      | 03 Blue Sky      | 301041 |
|                              |            |            |            | 04 Alaska Grey   | 301042 |
|                              |            |            |            | 22 Uni Grey      | 301045 |
|                              |            |            |            | 31 Mystic Grey   | 301043 |
|                              |            |            |            | 32 Sapphire Blue | 301044 |
|                              |            |            | Anodised   | 03 Blue Sky      | 301141 |
|                              |            |            |            | 04 Alaska Grey   | 301142 |
|                              |            |            |            | 31 Mystic Grey   | 301143 |
|                              |            |            |            | 32 Sapphire Blue | 301144 |
|                              |            |            | Anthracite | 31 Mystic Grey   | 301223 |
| 4.02 m                       | 2.50 m     | 28 kg      | White      | 03 Blue Sky      | 301051 |
|                              |            |            |            | 04 Alaska Grey   | 301052 |
|                              |            |            |            | 22 Uni Grey      | 301055 |
|                              |            |            |            | 31 Mystic Grey   | 301053 |
|                              |            |            |            | 32 Sapphire Blue | 301054 |
|                              |            |            | Anodised   | 03 Blue Sky      | 301151 |
|                              |            |            |            | 04 Alaska Grey   | 301152 |
|                              |            |            |            | 31 Mystic Grey   | 301153 |
|                              |            |            |            | 32 Sapphire Blue | 301154 |
|                              |            |            | Anthracite | 31 Mystic Grey   | 301233 |
| 4.52 m                       | 2.50 m     | 30.4 kg    | White      | 03 Blue Sky      | 301061 |
|                              |            |            |            | 04 Alaska Grey   | 301062 |
|                              |            |            |            | 22 Uni Grey      | 301065 |
|                              |            |            |            | 31 Mystic Grey   | 301063 |
|                              |            |            |            | 32 Sapphire Blue | 301064 |
|                              |            |            | Anodised   | 03 Blue Sky      | 301161 |
|                              |            |            |            | 04 Alaska Grey   | 301162 |
|                              |            |            |            | 31 Mystic Grey   | 301163 |
|                              |            |            |            | 32 Sapphire Blue | 301164 |
|                              |            |            | Anthracite | 31 Mystic Grey   | 301243 |
| 5.02 m                       | 2.50 m     | 32.8 kg    | White      | 03 Blue Sky      | 301071 |
|                              |            |            |            | 04 Alaska Grey   | 30172  |
|                              |            |            |            | 22 Uni Grey      | 301075 |
|                              |            |            |            | 31 Mystic Grey   | 301073 |
|                              |            |            |            | 32 Sapphire Blue | 301074 |
|                              |            |            | Anodised   | 03 Blue Sky      | 301171 |
|                              |            |            |            | 04 Alaska Grey   | 301172 |
|                              |            |            |            | 31 Mystic Grey   | 301173 |
|                              |            |            |            | 32 Sapphire Blue | 301174 |
|                              |            |            | Anthracite | 31 Mystic Grey   | 301264 |

| THULE OMNISTOR 5200 - MOTORISED |            |            |            |                |        |
|---------------------------------|------------|------------|------------|----------------|--------|
| LENGTH                          | PROJECTION | NET WEIGHT | CASSETTE   | FABRIC         | SKU-NO |
| 3.05 m                          | 2.50 m     | 23.6 kg    | White      | 31 Mystic Grey | 301080 |
|                                 |            |            | Anodised   |                | 301180 |
|                                 |            |            | Anthracite |                | 301190 |
| 3.55 m                          | 2.50 m     | 26.4 kg    | White      | 31 Mystic Grey | 301081 |
|                                 |            |            | Anodised   |                | 301181 |
|                                 |            |            | Anthracite |                | 301191 |
| 4.05 m                          | 2.50 m     | 29 kg      | White      | 31 Mystic Grey | 301082 |
|                                 |            |            | Anodised   |                | 301182 |
|                                 |            |            | Anthracite |                | 301192 |
| 4.55 m                          | 2.50 m     | 31.4 kg    | White      | 31 Mystic Grey | 301083 |
|                                 |            |            | Anodised   |                | 301183 |
|                                 |            |            | Anthracite |                | 301193 |
| 5.05 m                          | 2.50 m     | 33.8 kg    | White      | 31 Mystic Grey | 301084 |
|                                 |            |            | Anodised   |                | 301185 |
|                                 |            |            | Anthracite |                | 301198 |

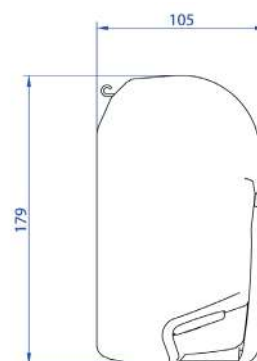
# Thule Omnistor 8000

Largest wall awning on the market



## INFO

- Installation Wall mounting
- Length 4.00 m - 6.00 m
- Projection 2.75 m
- Cassette White  
Anodised  
Cream: only with fabric 31 - Mystic Grey  
Anthracite: only with fabric 31 - Mystic Grey
- Fabric 31 - Mystic Grey  
32 - Sapphire Blue  
03 - Blue Sky  
04 - Alaska Grey  
22 - Uni Grey
- Weight 41.4 kg - 55.4 kg (without motor)  
43.4 kg - 57.4 kg (including motor)



## FEATURES

- Flat adapter delivered as standard. Special adapters for wall mounting need to be ordered separately
- Perfect fabric tension: sturdy spring arms with integrated tension arms ensure a perfectly tensioned awning fabric for increased wind resistance
- Spring arms:
  - reinforced with a double steel cable
  - the automatically deployed tension rafters absorb movement to ensure stability and wind-resistance
- Integrated channels for 12V cables for the installation of LED lights
- Front profile with integrated drainage system
- Optional 230 VAC motor with remote control:
  - operate the awning without any effort
  - digital settings ensure a perfect closing of the front profile
  - locking system: prevents the awning from opening while the vehicle is moving, works automatically when closing the awning
  - a safety device enables you to operate the awning manually in case of electricity failure
  - can be retrofit installed as an accessory on a manual Thule Omnistor 8000 awning (+ 2 kg)
- Thule Quick-Lock: user-friendly system to help you set up and adjust the support legs to the right heights

## ACCESSORIES

- Thule Wall Adapters
- Thule Motor Kit TO 8000
- Thule LED Strip
- Thule Tension Rafter G2
- Thule 3rd Support Leg
- Thule Hold Down Kit
- Thule Hold Down Side Strap Kit
- Thule Sealing Rubber
- Thule Gutter
- Thule Sun Blocker G2 Front
- Thule Sun Blocker G2 Side
- Thule Rain Blocker G2 Front
- Thule Rain Blocker G2 Side
- Thule View Blocker Front
- Thule Windscreen
- Thule Panorama
- Thule Residence G3
- Thule QuickFit

## MAINTENANCE

- Thule PVC Cleaner
- Thule Repair Patch

| THULE OMNISTOR 8000 - MANUAL |                |         |          |                  |        |
|------------------------------|----------------|---------|----------|------------------|--------|
| LENGTH                       | PROJECTION     | WEIGHT  | CASSETTE | FABRIC           | SKU-NO |
| 4.00 m                       | 2.75 m         | 41.4 kg | Anodised | 03 Blue Sky      | 307786 |
|                              |                |         |          | 04 Alaska Grey   | 307787 |
|                              |                |         |          | 31 Mystic Grey   | 308683 |
|                              |                |         |          | 32 Sapphire Blue | 308701 |
|                              |                |         | White    | 03 Blue Sky      | 307712 |
|                              |                |         |          | 04 Alaska Grey   | 307713 |
|                              |                |         |          | 22 Uni Grey      | 307717 |
|                              |                |         |          | 31 Mystic Grey   | 308728 |
|                              |                |         | Cream    | 32 Sapphire Blue | 308698 |
|                              |                |         |          | 31 Mystic Grey   | 308979 |
| 4.50 m                       | 2.75 m         | 44.6 kg | Anodised | 03 Blue Sky      | 307790 |
|                              |                |         |          | 04 Alaska Grey   | 307791 |
|                              |                |         |          | 31 Mystic Grey   | 308708 |
|                              |                |         |          | 32 Sapphire Blue | 308709 |
|                              |                |         | White    | 03 Blue Sky      | 307719 |
|                              |                |         |          | 04 Alaska Grey   | 307720 |
|                              |                |         |          | 22 Uni Grey      | 307725 |
|                              |                |         |          | 31 Mystic Grey   | 308679 |
|                              |                |         | Cream    | 32 Sapphire Blue | 308703 |
|                              |                |         |          | 31 Mystic Grey   | 308912 |
| 5.00 m                       | 2.75 m         | 48.2 kg | Anodised | 03 Blue Sky      | 307794 |
|                              |                |         |          | 04 Alaska Grey   | 307795 |
|                              |                |         |          | 31 Mystic Grey   | 308710 |
|                              |                |         |          | 32 Sapphire Blue | 308711 |
|                              |                |         | White    | 03 Blue Sky      | 307727 |
|                              |                |         |          | 04 Alaska Grey   | 307728 |
|                              |                |         |          | 22 Uni Grey      | 307733 |
|                              |                |         |          | 31 Mystic Grey   | 308704 |
|                              |                |         | Cream    | 32 Sapphire Blue | 308705 |
|                              |                |         |          | 31 Mystic Grey   | 308971 |
| Anthracite                   | 31 Mystic Grey | 301672  |          |                  |        |
|                              |                |         |          |                  |        |
| 5.50 m                       | 2.75 m         | 51.8 kg | Anodised | 03 Blue Sky      | 307798 |
|                              |                |         |          | 04 Alaska Grey   | 307799 |
|                              |                |         |          | 31 Mystic Grey   | 308712 |
|                              |                |         |          | 32 Sapphire Blue | 308713 |
|                              |                |         | White    | 03 Blue Sky      | 307735 |
|                              |                |         |          | 04 Alaska Grey   | 307736 |
|                              |                |         |          | 22 Uni Grey      | 307741 |
|                              |                |         |          | 31 Mystic Grey   | 308706 |
|                              |                |         | Cream    | 32 Sapphire Blue | 308707 |
|                              |                |         |          | 31 Mystic Grey   | 308972 |
| Anthracite                   | 31 Mystic Grey | 301673  |          |                  |        |
|                              |                |         |          |                  |        |

| THULE OMNISTOR 8000 - MANUAL |            |         |          |                  |                |
|------------------------------|------------|---------|----------|------------------|----------------|
| LENGTH                       | PROJECTION | WEIGHT  | CASSETTE | FABRIC           | SKU-NO         |
| 6.00 m                       | 2.75 m     | 55.4 kg | Anodised | 03 Blue Sky      | 307802         |
|                              |            |         |          | 04 Alaska Grey   | 307803         |
|                              |            |         |          | 31 Mystic Grey   | 308714         |
|                              |            |         |          | 32 Sapphire Blue | 308715         |
|                              |            |         | White    | 03 Blue Sky      | 307743         |
|                              |            |         |          | 04 Alaska Grey   | 307744         |
|                              |            |         |          | 22 Uni Grey      | 307749         |
|                              |            |         |          | 31 Mystic Grey   | 308729         |
|                              |            |         | Cream    | 31 Mystic Grey   | 308978         |
|                              |            |         |          | Anthracite       | 31 Mystic Grey |

| THULE OMNISTOR 8000 - MOTORISED |            |         |          |                  |        |
|---------------------------------|------------|---------|----------|------------------|--------|
| LENGTH                          | PROJECTION | WEIGHT  | CASSETTE | FABRIC           | SKU-NO |
| 4.00 m                          | 2.75 m     | 43.4 kg | Anodised | 03 Blue Sky      | 307806 |
|                                 |            |         |          | 04 Alaska Grey   | 307807 |
|                                 |            |         |          | 31 Mystic Grey   | 308796 |
|                                 |            |         |          | 32 Sapphire Blue | 308841 |
|                                 |            |         | White    | 03 Blue Sky      | 307751 |
|                                 |            |         |          | 04 Alaska Grey   | 307752 |
|                                 |            |         |          | 22 Uni Grey      | 307756 |
|                                 |            |         |          | 31 Mystic Grey   | 308738 |
|                                 |            |         | Cream    | 32 Sapphire Blue | 308818 |
|                                 |            |         |          | 31 Mystic Grey   | 308973 |
| 4.50 m                          | 2.75 m     | 46.6 kg | Anodised | 03 Blue Sky      | 307810 |
|                                 |            |         |          | 04 Alaska Grey   | 307811 |
|                                 |            |         |          | 31 Mystic Grey   | 308801 |
|                                 |            |         |          | 32 Sapphire Blue | 308825 |
|                                 |            |         | White    | 03 Blue Sky      | 307758 |
|                                 |            |         |          | 04 Alaska Grey   | 307759 |
|                                 |            |         |          | 22 Uni Grey      | 307763 |
|                                 |            |         |          | 31 Mystic Grey   | 308839 |
|                                 |            |         | Cream    | 32 Sapphire Blue | 308914 |
|                                 |            |         |          | 31 Mystic Grey   | 308974 |

| THULE OMNISTOR 8000 - MOTORISED |                |         |                  |                  |        |
|---------------------------------|----------------|---------|------------------|------------------|--------|
| LENGTH                          | PROJECTION     | WEIGHT  | CASSETTE         | FABRIC           | SKU-NO |
| 5.00 m                          | 2.75 m         | 50.2 kg | Anodised         | 03 Blue Sky      | 307814 |
|                                 |                |         |                  | 04 Alaska Grey   | 307815 |
|                                 |                |         |                  | 31 Mystic Grey   | 308803 |
|                                 |                |         |                  | 32 Sapphire Blue | 308951 |
|                                 |                |         | White            | 03 Blue Sky      | 307765 |
|                                 |                |         |                  | 04 Alaska Grey   | 307766 |
|                                 |                |         |                  | 22 Uni Grey      | 307770 |
|                                 |                |         |                  | 31 Mystic Grey   | 308759 |
|                                 |                |         | Cream            | 31 Mystic Grey   | 308975 |
|                                 |                |         | Anthracite       | 31 Mystic Grey   | 301677 |
| 5.50 m                          | 2.75 m         | 53.8 kg | Anodised         | 03 Blue Sky      | 307818 |
|                                 |                |         |                  | 04 Alaska Grey   | 307819 |
|                                 |                |         |                  | 31 Mystic Grey   | 308739 |
|                                 |                |         |                  | 32 Sapphire Blue | 308820 |
|                                 |                |         | White            | 03 Blue Sky      | 307772 |
|                                 |                |         |                  | 04 Alaska Grey   | 307773 |
|                                 |                |         |                  | 22 Uni Grey      | 307777 |
|                                 |                |         |                  | 31 Mystic Grey   | 308758 |
|                                 |                |         | 32 Sapphire Blue | 308836           |        |
|                                 |                |         | Cream            | 31 Mystic Grey   | 308976 |
| Anthracite                      | 31 Mystic Grey | 301678  |                  |                  |        |
| 6.00 m                          | 2.75 m         | 57.4 kg | Anodised         | 03 Blue Sky      | 307822 |
|                                 |                |         |                  | 04 Alaska Grey   | 307823 |
|                                 |                |         |                  | 31 Mystic Grey   | 308747 |
|                                 |                |         |                  | 32 Sapphire Blue | 308746 |
|                                 |                |         | White            | 03 Blue Sky      | 307779 |
|                                 |                |         |                  | 04 Alaska Grey   | 307780 |
|                                 |                |         |                  | 22 Uni Grey      | 307784 |
|                                 |                |         |                  | 31 Mystic Grey   | 308789 |
|                                 |                |         | 32 Sapphire Blue | 308837           |        |
|                                 |                |         | Cream            | 31 Mystic Grey   | 308977 |
| Anthracite                      | 31 Mystic Grey | 301679  |                  |                  |        |

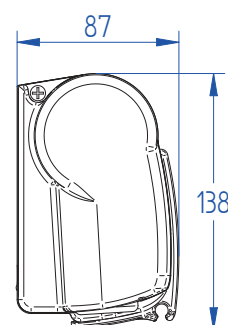
# Thule Omnistor 4900

The lightweight awning



## INFO

- Installation Wall mounting
- Length 2.60 m - 4.50 m
- Projection 2.50 m
- Cassette White  
Anodised
- Fabric Anthracite: 2.60 m - 3.00 m: only with fabric 31  
31 - Mystic Grey  
32 - Sapphire Blue
- Weight 17.5 kg - 27.8 kg



## FEATURES

- Flat adapter delivered as standard. Special adapters for wall mounting need to be ordered separately
- Patented roller tube support for better fabric tension and reduced wrinkling of the fabric
- Easy roller tube adjustment: perfect closing of the cassette on the side opposite to the gear
- The oval support legs are dropped vertically to reduce the risk of damaging the vehicle wall
- Suitable for a slim and round design
- Lightest of its category: 19.6 kg for 3.00 m by 2.50 m
- Awning lengths from 4.00 m and more have a tension rafter supplied as standard

## ACCESSORIES

- Thule Wall Adapters
- Thule LED Strip
- Thule Tension Rafter G2
- Thule Hold Down Kit
- Thule Hold Down Side Strap Kit
- Thule Sealing Rubber
- Thule Gutter
- Thule Sun Blocker G2 Front
- Thule Sun Blocker G2 Side
- Thule Rain Blocker G2 Front
- Thule Rain Blocker G2 Side
- Thule View Blocker G2 Side
- Thule View Blocker Front
- Thule Windscreen
- Thule Residence G3
- Thule QuickFit

## MAINTENANCE

- Thule PVC Cleaner
- Thule Repair Patch



| THULE OMNISTOR 4900 |            |         |          |                  |        |
|---------------------|------------|---------|----------|------------------|--------|
| LENGTH              | PROJECTION | WEIGHT  | CASSETTE | FABRIC           | SKU-NO |
| 2.60 m              | 2.00 m     | 17.5 kg | Anodised | 31 Mystic Grey   | 306554 |
|                     |            |         |          | 32 Sapphire Blue | 306555 |
|                     |            |         | White    | 31 Mystic Grey   | 309936 |
|                     |            |         |          | 32 Sapphire Blue | 306552 |
| 3.00 m              | 2.50 m     | 19.6 kg | Anodised | 31 Mystic Grey   | 306553 |
|                     |            |         |          | 32 Sapphire Blue | 309670 |
|                     |            |         | White    | 31 Mystic Grey   | 309671 |
|                     |            |         |          | 32 Sapphire Blue | 309937 |
| 3.50 m              | 2.50 m     | 21.6 kg | Anodised | 31 Mystic Grey   | 309641 |
|                     |            |         |          | 32 Sapphire Blue | 309640 |
|                     |            |         | White    | 31 Mystic Grey   | 309673 |
|                     |            |         |          | 32 Sapphire Blue | 309672 |
| 4.00 m              | 2.50 m     | 25.6 kg | Anodised | 31 Mystic Grey   | 309643 |
|                     |            |         |          | 32 Sapphire Blue | 309642 |
|                     |            |         | White    | 31 Mystic Grey   | 309675 |
|                     |            |         |          | 32 Sapphire Blue | 309674 |
| 4.50 m              | 2.50 m     | 27.8 kg | Anodised | 31 Mystic Grey   | 309645 |
|                     |            |         |          | 32 Sapphire Blue | 309644 |
|                     |            |         | White    | 31 Mystic Grey   | 309677 |
|                     |            |         |          | 32 Sapphire Blue | 309676 |

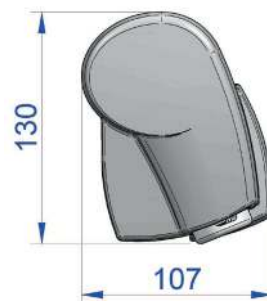
# Thule Omnistor 5102



Small awning conceived for Volkswagen T5/T6

## INFO

- Installation Attached to the existing roof rail (vehicles original T-track)
- Length 2.60 m
- Projection 2.00 m
- Cassette Light Grey  
Anthracite: matching the colour of bumper & door handles
- Fabric 31 - Mystic Grey
- Weight 19.8 kg



## FEATURES

- Attached to the existing roof rail using the supplied adapters (only suitable for Volkswagen Multivan)
- Awning with specific adapter for Volkswagen California is only to obtain via Volkswagen dealers
- RHD variant available for right hand driven vehicles
- Ideal form & size to allow public parking's entrance (height: max. 2.00 m)
- Thule Quick-Lock: user-friendly system to help you set up and adjust the support legs to the right heights
- Optional Thule Residence G3 tent to increase living space by 5 m<sup>2</sup>

## ACCESSORIES

- Thule Wall Adapters
- Thule Hold Down Kit
- Thule Hold Down Side Strap Kit
- Thule Gutter
- Thule LED Strip
- Thule Sun Blocker G2 Front
- Thule Sun Blocker G2 Side
- Thule Rain Blocker G2 Front
- Thule Rain Blocker G2 Side
- Thule View Blocker Front
- Thule Windscreen
- Thule Residence G3

## MAINTENANCE

- Thule PVC Cleaner
- Thule Repair Patch

| THULE OMNISTOR 5102 |            |         |            |                |        |
|---------------------|------------|---------|------------|----------------|--------|
| LENGTH              | PROJECTION | WEIGHT  | CASSETTE   | FABRIC         | SKU-NO |
| 2.60 m              | 2.00 m     | 19.8 kg | Anthracite | 31 Mystic Grey | 309851 |
|                     |            |         | Light grey |                | 309852 |

## New Thule 3200

Manual roll-up box awning for compact vehicles



Awnings

### INFO

- Installation Wall mounting via adapter or onto a roof rack
- Length 1.90 m - 3.00 m
- Projection 2.50 m
- Cassette Anthracite  
Anodised (anthracite bottom + black end caps)
- Fabric 22 - Uni Grey
- Weight 12 kg - 16.9 kg



### FEATURES

- Ideal for direct mount on a selected range of minivans and roof rack installation on cars
- The awning brackets need to be bought separately
- The awning can be set up by only one person
- Installation: open the cassette and take out the tension arms. Roll out the awning manually and set up the support legs. At last, connect the tension arms with the support legs and create tension
- All awning lengths have a projection of 2.50 m, the largest projection on the market within its category
- Thule Quick-Lock: user-friendly system to help you set up and adjust the support legs to the right heights

### ACCESSORIES

- Thule Adapters T 3200
- Thule Sun Blocker G2 Front
- Thule Rain Blocker G2 Front
- Thule Hold Down Side Strap Kit
- Thule Sun Blocker G2 Side
- Thule Rain Blocker G2 Side

### MAINTENANCE

- Thule PVC Cleaner
- Thule Repair Patch

| THULE 3200 |            |         |            |             |        |
|------------|------------|---------|------------|-------------|--------|
| LENGTH     | PROJECTION | WEIGHT  | CASSETTE   | FABRIC      | SKU-NO |
| 1.90 m     | 2.50 m     | 12 kg   | Anthracite | 22 Uni Grey | 302465 |
| 2.30 m     |            | 13.8 kg | Anthracite |             | 302466 |
| 2.50 m     |            | 14.7 kg | Anthracite |             | 302467 |
|            |            |         | Anodised   |             | 302462 |
| 2.70 m     |            | 15.6 kg | Anthracite |             | 302468 |
|            |            |         | Anodised   |             | 302463 |
| 3.00 m     |            | 16.9 kg | Anthracite |             | 302469 |
|            |            |         | Anodised   |             | 302464 |

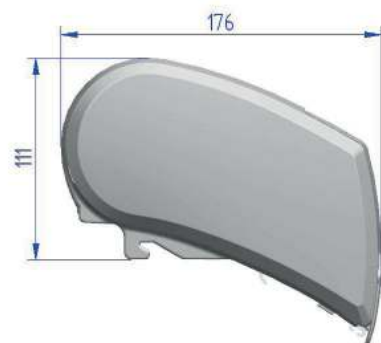
# Thule Omnistor 9200



The perfect roof awning for extra large vehicles with a projection of 3 meters

## INFO

- |                |  |
|----------------|--|
| • Installation | Roof mounting  |
| • Length       | 4.00 m - 6.00 m  |
| • Projection   | 3.00 m   |
| • Cassette     | White<br>Anodised  |
| • Fabric       | Cream: only with fabric 31 - Mystic Grey<br>31 - Mystic Grey<br>32 - Sapphire Blue<br>03 - Blue Sky<br>04 - Alaska Grey<br>22 - Uni Grey |
| • Weight       | 42.4 kg - 57.6 kg (without motor)<br>45.4 kg - 60.6 kg (with motor)  |



## FEATURES

- Roof-mounted awning suitable for caravans and motorhomes (A-class)
- Compatible with existing adapter brackets (need to be ordered separately)
- Installation using the roof top adapter (adhesive) or by means of transverse profiles
- Drilling through the roof is not necessary
- Caravan rail remains free for other accessories: tent
- Largest projection on the market with a superior fabric tension
- Top of the range stability for longer lengths
- Patented roller tube support for better fabric tension and reduced wrinkling of the fabric
- Improved masking and finish of the technical parts
- Integrated anti-rattling solutions
- Increased reliability: built-in durable systems for long life performance
- Thule design: contemporary look, perfect integration on RV's
- Ready for accessories: e.g. Thule LED Mounting Rail - Thule Awning Fixation Kit TO 6300/200/9200
- Spring arms:
  - reinforced with a double steel cable
  - the automatically deployed tension rafters absorb movement to ensure stability and wind-resistance
- Optional 230 VAC motor with remote control:
  - operate the awning without any effort
  - digital settings ensure a perfect closing of the front profile
  - locking system: prevents the awning from opening while the vehicle is moving, works automatically when closing the awning
  - a safety device enables you to operate the awning manually in case of electricity failure
  - can be retrofit installed as an accessory on a manual Thule Omnistor 9200 awning (+ 2 kg)
- Thule Quick-Lock: user-friendly system to help you set up and adjust the support legs to the right heights

## ACCESSORIES

- Thule Roof Adapters
- Thule Motor Kit TO 9200
- Thule LED Mounting Rail TO 6300/6200/9200
- Thule LED Strip
- Thule Tension Rafter G2
- Thule 3rd Support Leg
- Thule Hold Down Kit
- Thule Hold Down Side Strap Kit
- Thule EPDM Sealing
- Thule Gutter
- Thule Sun Blocker G2 Front
- Thule Sun Blocker G2 Side
- Thule Rain Blocker G2 Front
- Thule Rain Blocker G2 Side
- Thule View Blocker Front
- Thule Windscreen
- Thule Panorama
- Thule Residence G3
- Thule QuickFit
- Thule Awning Fixation Kit TO 6300/6200/9200

## MAINTENANCE

- Thule PVC Cleaner
- Thule Repair Patch

| THULE OMNISTOR 9200 - MANUAL |            |            |          |                  |        |
|------------------------------|------------|------------|----------|------------------|--------|
| LENGTH                       | PROJECTION | NET WEIGHT | CASSETTE | FABRIC           | SKU-NO |
| 4.00 m                       | 3.00 m     | 42.4 kg    | Anodised | 03 Blue Sky      | 309861 |
|                              |            |            |          | 04 Alaska Grey   | 309862 |
|                              |            |            |          | 31 Mystic Grey   | 306640 |
|                              |            |            |          | 32 Sapphire Blue | 306641 |
|                              |            |            | Cream    | 31 Mystic Grey   | 306660 |
|                              |            |            | White    | 03 Blue Sky      | 306600 |
|                              |            |            |          | 04 Alaska Grey   | 306601 |
|                              |            |            |          | 22 Uni Grey      | 309856 |
|                              |            |            |          | 31 Mystic Grey   | 306602 |
|                              |            |            |          | 32 Sapphire Blue | 306603 |
| 4.50 m                       | 3.00 m     | 45.6 kg    | Anodised | 03 Blue Sky      | 309863 |
|                              |            |            |          | 04 Alaska Grey   | 309864 |
|                              |            |            |          | 31 Mystic Grey   | 306642 |
|                              |            |            |          | 32 Sapphire Blue | 306643 |
|                              |            |            | Cream    | 31 Mystic Grey   | 306662 |
|                              |            |            | White    | 03 Blue Sky      | 306604 |
|                              |            |            |          | 04 Alaska Grey   | 306605 |
|                              |            |            |          | 22 Uni Grey      | 309857 |
|                              |            |            |          | 31 Mystic Grey   | 306606 |
|                              |            |            |          | 32 Sapphire Blue | 306607 |
| 5.00 m                       | 3.00 m     | 50.2 kg    | Anodised | 03 Blue Sky      | 309865 |
|                              |            |            |          | 04 Alaska Grey   | 309866 |
|                              |            |            |          | 31 Mystic Grey   | 306644 |
|                              |            |            |          | 32 Sapphire Blue | 306645 |
|                              |            |            | Cream    | 31 Mystic Grey   | 306664 |
|                              |            |            | White    | 03 Blue Sky      | 306608 |
|                              |            |            |          | 04 Alaska Grey   | 306609 |
|                              |            |            |          | 22 Uni Grey      | 309858 |
|                              |            |            |          | 31 Mystic Grey   | 306610 |
|                              |            |            |          | 32 Sapphire Blue | 306611 |

| THULE OMNISTOR 9200 - MANUAL |            |            |          |                  |        |
|------------------------------|------------|------------|----------|------------------|--------|
| LENGTH                       | PROJECTION | NET WEIGHT | CASSETTE | FABRIC           | SKU-NO |
| 5.50 m                       | 3.00 m     | 53.6 kg    | Anodised | 03 Blue Sky      | 309867 |
|                              |            |            |          | 04 Alaska Grey   | 309868 |
|                              |            |            |          | 31 Mystic Grey   | 306646 |
|                              |            |            |          | 32 Sapphire Blue | 306647 |
|                              |            |            | Cream    | 31 Mystic Grey   | 306666 |
|                              |            |            | White    | 03 Blue Sky      | 306612 |
|                              |            |            |          | 04 Alaska Grey   | 306613 |
|                              |            |            |          | 22 Uni Grey      | 309859 |
|                              |            |            |          | 31 Mystic Grey   | 306614 |
|                              |            |            |          | 32 Sapphire Blue | 306615 |
| 6.00 m                       | 3.00 m     | 57.6 kg    | Anodised | 03 Blue Sky      | 309869 |
|                              |            |            |          | 04 Alaska Grey   | 309870 |
|                              |            |            |          | 31 Mystic Grey   | 306648 |
|                              |            |            |          | 32 Sapphire Blue | 306649 |
|                              |            |            | Cream    | 31 Mystic Grey   | 306668 |
|                              |            |            | White    | 03 Blue Sky      | 306616 |
|                              |            |            |          | 04 Alaska Grey   | 306617 |
|                              |            |            |          | 22 Uni Grey      | 309860 |
|                              |            |            |          | 31 Mystic Grey   | 306618 |
|                              |            |            |          | 32 Sapphire Blue | 306619 |

| THULE OMNISTOR 9200 - MOTORIZED |            |            |          |                  |        |
|---------------------------------|------------|------------|----------|------------------|--------|
| LENGTH                          | PROJECTION | NET WEIGHT | CASSETTE | FABRIC           | SKU-NO |
| 4.00 m                          | 3.00 m     | 45.4 kg    | Anodised | 03 Blue Sky      | 309876 |
|                                 |            |            |          | 04 Alaska Grey   | 309877 |
|                                 |            |            |          | 31 Mystic Grey   | 306650 |
|                                 |            |            |          | 32 Sapphire Blue | 306651 |
|                                 |            |            | Cream    | 31 Mystic Grey   | 306670 |
|                                 |            |            | White    | 03 Blue Sky      | 306620 |
|                                 |            |            |          | 04 Alaska Grey   | 306621 |
|                                 |            |            |          | 22 Uni Grey      | 309871 |
|                                 |            |            |          | 31 Mystic Grey   | 306622 |
|                                 |            |            |          | 32 Sapphire Blue | 306623 |
| 4.50 m                          | 3.00 m     | 48.6 kg    | Anodised | 03 Blue Sky      | 309878 |
|                                 |            |            |          | 04 Alaska Grey   | 309879 |
|                                 |            |            |          | 31 Mystic Grey   | 306652 |
|                                 |            |            |          | 32 Sapphire Blue | 306653 |
|                                 |            |            | Cream    | 31 Mystic Grey   | 306672 |
|                                 |            |            | White    | 03 Blue Sky      | 306624 |
|                                 |            |            |          | 04 Alaska Grey   | 306625 |
|                                 |            |            |          | 22 Uni Grey      | 309872 |
|                                 |            |            |          | 31 Mystic Grey   | 306626 |
|                                 |            |            |          | 32 Sapphire Blue | 306627 |

| THULE OMNISTOR 9200 - MOTORISED |            |            |          |                  |        |
|---------------------------------|------------|------------|----------|------------------|--------|
| LENGTH                          | PROJECTION | NET WEIGHT | CASSETTE | FABRIC           | SKU-NO |
| 5.00 m                          | 3.00 m     | 53.2 kg    | Anodised | 03 Blue Sky      | 309880 |
|                                 |            |            |          | 04 Alaska Grey   | 309881 |
|                                 |            |            |          | 31 Mystic Grey   | 306654 |
|                                 |            |            |          | 32 Sapphire Blue | 306655 |
|                                 |            |            | Cream    | 31 Mystic Grey   | 306674 |
|                                 |            |            | White    | 03 Blue Sky      | 306628 |
|                                 |            |            |          | 04 Alaska Grey   | 306629 |
|                                 |            |            |          | 22 Uni Grey      | 309873 |
|                                 |            |            |          | 31 Mystic Grey   | 306630 |
|                                 |            |            |          | 32 Sapphire Blue | 306631 |
| 5.50 m                          | 3.00 m     | 56.6 kg    | Anodised | 03 Blue Sky      | 309882 |
|                                 |            |            |          | 04 Alaska Grey   | 309883 |
|                                 |            |            |          | 31 Mystic Grey   | 306656 |
|                                 |            |            |          | 32 Sapphire Blue | 306657 |
|                                 |            |            | Cream    | 31 Mystic Grey   | 306676 |
|                                 |            |            | White    | 03 Blue Sky      | 306632 |
|                                 |            |            |          | 04 Alaska Grey   | 306633 |
|                                 |            |            |          | 22 Uni Grey      | 309874 |
|                                 |            |            |          | 31 Mystic Grey   | 306634 |
|                                 |            |            |          | 32 Sapphire Blue | 306635 |
| 6.00 m                          | 3.00 m     | 60.6 kg    | Anodised | 03 Blue Sky      | 309884 |
|                                 |            |            |          | 04 Alaska Grey   | 309885 |
|                                 |            |            |          | 31 Mystic Grey   | 306658 |
|                                 |            |            |          | 32 Sapphire Blue | 306659 |
|                                 |            |            | Cream    | 31 Mystic Grey   | 306678 |
|                                 |            |            | White    | 03 Blue Sky      | 306636 |
|                                 |            |            |          | 04 Alaska Grey   | 306637 |
|                                 |            |            |          | 22 Uni Grey      | 309875 |
|                                 |            |            |          | 31 Mystic Grey   | 306638 |
|                                 |            |            |          | 32 Sapphire Blue | 306639 |

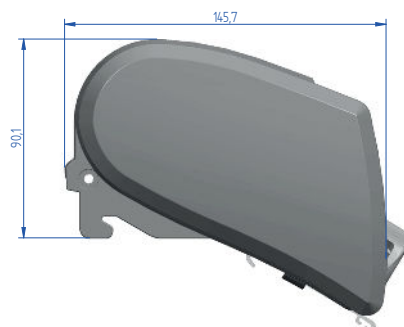
# Thule Omnistor 6300

Universal roof awning in a contemporary design



## INFO

- |                |   |
|----------------|---|
| • Installation | Roof mounting   |
| • Length       | 2.60 m - 5.00 m   |
| • Projection   | 2.00 m - 2.50 m   |
| • Cassette     | White<br>Anodised   |
| • Fabric       | Anthracite: only with fabric 31 - Mystic Grey<br>31 - Mystic Grey<br>32 - Sapphire Blue |
| • Weight       | 20.6 kg - 35.6 kg (without motor)<br>25.1 kg - 36.6 kg (with motor)                     |



## FEATURES

- Roof-mounted awning suitable for motorhomes, caravans and vans (mid-class)
- Compatible with existing adapter brackets and accessories (need to be ordered separately)
- Installation using the roof top adapter (adhesive) or by means of transverse profiles
- Drilling through the roof is not necessary due to the mechanical fixation in the adapters
- Caravan rail remains free for other accessories: tent
- Perfect fabric tension: sturdy spring arms with patented integrated tension arms ensure a perfectly tensioned awning fabric for increased wind resistance. Standard integrated for awning lengths from 3.75 m and more, optional for awning lengths 3.00 m, 3.25 m and 3.50 m
- Thule Quick-Lock: user-friendly system to help you set up and adjust the support legs to the right heights
- Thule look:
  - matches the contemporary RV design
  - better integrated on the vehicle roof
- Optional 12V DC motor:
  - operate awning lengths from 3.00 m and more without any effort
  - control is made with a switch through one touch command
  - integrated manual override with hand crank in case of power failure
  - can be retrofit installed as an accessory on a manual Thule Omnistor 6300 from awning length 3.00 m (+ 1 kg and + 3 cm in length)
- Patented roller tube support for better fabric tension and reduced wrinkling of the fabric
- Easy roller tube adjustment: perfect closing of the cassette on the side opposite to the gear
- Improved masking and finish of the technical parts
- Integrated anti-rattling solutions
- Integrated fixation for an optional 3rd support leg to ensure a higher stability (from 3.75 m awning length)
- Increased reliability: built-in durable systems for long life performance create a higher stability which allows awning lengths up to 5.00 m to suit larger vehicles
- Thule Adjustable Pitch system: the incline of the awning fabric can be set as you please to easily open the door of your vehicle without touching the awning fabric
- Ready for accessories: e.g. Thule LED Mounting Rail - Thule Awning Fixation Kit TO 6300/9200



**ACCESSORIES**

- Thule Roof Adapters
- Thule Motor Kit TO 6300
- Thule Tent LED Mounting Rail TO 6300
- Thule LED Mounting Rail TO 6300/9200
- Thule LED Strip
- Thule Tension Rafter G2
- Thule 3rd Support Leg
- Thule Hold Down Kit
- Thule Hold Down Side Strap Kit
- Thule EPDM Sealing
- Thule Gutter
- Thule Sun Blocker G2 Front
- Thule Sun Blocker G2 Side
- Thule Rain Blocker G2 Front
- Thule Rain Blocker G2 Side
- Thule View Blocker Front
- Thule Windscreen
- Thule Veduta
- Thule Panorama
- Thule Residence G3
- Thule QuickFit
- Thule Awning Fixation Kit TO 6300/9200

**MAINTENANCE**

- Thule PVC Cleaner
- Thule Repair Patch

| THULE OMNISTOR 6300 - MANUAL |            |            |            |                  |        |
|------------------------------|------------|------------|------------|------------------|--------|
| LENGTH                       | PROJECTION | NET WEIGHT | CASSETTE   | FABRIC           | SKU-NO |
| 2.60 m                       | 2.00 m     | 20.6 kg    | White      | 31 Mystic Grey   | 302100 |
|                              |            |            |            | 32 Sapphire Blue | 302101 |
|                              |            |            | Anthracite | 31 Mystic Grey   | 302300 |
| 3.00 m                       | 2.50 m     | 24.1 kg    | White      | 31 Mystic Grey   | 302120 |
|                              |            |            |            | 32 Sapphire Blue | 302121 |
|                              |            |            | Anthracite | 31 Mystic Grey   | 302320 |
| 3.25 m                       | 2.50 m     | 25.1 kg    | White      | 31 Mystic Grey   | 302130 |
|                              |            |            |            | 32 Sapphire Blue | 302131 |
|                              |            |            | Anodised   | 31 Mystic Grey   | 302230 |
|                              |            |            |            | 32 Sapphire Blue | 302231 |
|                              |            |            | Anthracite | 31 Mystic Grey   | 302330 |
| 3.50 m                       | 2.50 m     | 26.8 kg    | White      | 31 Mystic Grey   | 302140 |
|                              |            |            |            | 32 Sapphire Blue | 302141 |
|                              |            |            | Anodised   | 31 Mystic Grey   | 302240 |
|                              |            |            |            | 32 Sapphire Blue | 302241 |
|                              |            |            | Anthracite | 31 Mystic Grey   | 302340 |
| 3.75 m                       | 2.50 m     | 28.5 kg    | White      | 31 Mystic Grey   | 302150 |
|                              |            |            |            | 32 Sapphire Blue | 302151 |
|                              |            |            | Anodised   | 31 Mystic Grey   | 302250 |
|                              |            |            |            | 32 Sapphire Blue | 302251 |
|                              |            |            | Anthracite | 31 Mystic Grey   | 302350 |
| 4.00 m                       | 2.50 m     | 30.5 kg    | White      | 31 Mystic Grey   | 302160 |
|                              |            |            |            | 32 Sapphire Blue | 302161 |
|                              |            |            | Anodised   | 31 Mystic Grey   | 302260 |
|                              |            |            |            | 32 Sapphire Blue | 302261 |
|                              |            |            | Anthracite | 31 Mystic Grey   | 302360 |
| 4.25 m                       | 2.50 m     | 31.8 kg    | White      | 31 Mystic Grey   | 302170 |
|                              |            |            |            | 32 Sapphire Blue | 302171 |
|                              |            |            | Anthracite | 31 Mystic Grey   | 302370 |
| 4.50 m                       | 2.50 m     | 33 kg      | White      | 31 Mystic Grey   | 302180 |
|                              |            |            |            | 32 Sapphire Blue | 302181 |
|                              |            |            | Anodised   | 31 Mystic Grey   | 302280 |
|                              |            |            |            | 32 Sapphire Blue | 302281 |
|                              |            |            | Anthracite | 31 Mystic Grey   | 302380 |
| 5.00 m                       | 2.50 m     | 35.6 kg    | White      | 31 Mystic Grey   | 302190 |
|                              |            |            |            | 32 Sapphire Blue | 302191 |
|                              |            |            | Anodised   | 31 Mystic Grey   | 302290 |
|                              |            |            |            | 32 Sapphire Blue | 302291 |
|                              |            |            | Anthracite | 31 Mystic Grey   | 302390 |

| THULE OMNISTOR 6300 - MOTORISED |            |            |            |                |        |
|---------------------------------|------------|------------|------------|----------------|--------|
| LENGTH                          | PROJECTION | NET WEIGHT | CASSETTE   | FABRIC         | SKU-NO |
| 3.03 m                          | 2.50 m     | 25.1 kg    | White      | 31 Mystic Grey | 302125 |
|                                 |            |            | Anthracite |                | 302325 |
| 3.28 m                          | 2.50 m     | 26.1 kg    | White      | 31 Mystic Grey | 302135 |
|                                 |            |            | Anodised   |                | 302235 |
|                                 |            |            | Anthracite |                | 302335 |
| 3.53 m                          | 2.50 m     | 27.8 kg    | White      | 31 Mystic Grey | 302145 |
|                                 |            |            | Anodised   |                | 302245 |
|                                 |            |            | Anthracite |                | 302345 |
| 3.78 m                          | 2.50 m     | 29.5 kg    | White      | 31 Mystic Grey | 302155 |
|                                 |            |            | Anodised   |                | 302255 |
|                                 |            |            | Anthracite |                | 302355 |
| 4.03 m                          | 2.50 m     | 31.5 kg    | White      | 31 Mystic Grey | 302165 |
|                                 |            |            | Anodised   |                | 302265 |
|                                 |            |            | Anthracite |                | 302365 |
| 4.28 m                          | 2.50 m     | 32.8 kg    | White      | 31 Mystic Grey | 302175 |
|                                 |            |            | Anthracite |                | 302375 |
| 4.53 m                          | 2.50m      | 34 kg      | White      | 31 Mystic Grey | 302185 |
|                                 |            |            | Anodised   |                | 302285 |
|                                 |            |            | Anthracite |                | 302385 |
| 5.03 m                          | 2.50 m     | 36.6 kg    | White      | 31 Mystic Grey | 302195 |
|                                 |            |            | Anodised   |                | 302295 |
|                                 |            |            | Anthracite |                | 302395 |

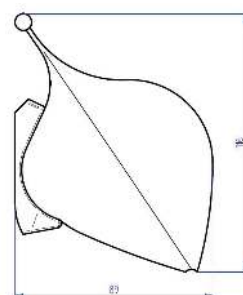
# Thule Omnistor 1200



Stability and large projection for a bag awning

## INFO

- Installation Slides into the caravan rail
- Length 2.30 m - 5.50 m
- Projection 2.00 m - 2.50 m
- Bag White
- Fabric 31 - Mystic Grey  
32 - Sapphire Blue
- Weight 9 kg - 20 kg



## FEATURES

- Exceptional stability for a bag awning
- Largest projection for a bag awning
- Top finish of the bag and technical parts
- The awning is stored in a PVC-sleeve with a sewn rope which simply slides into the caravan rail. Open the sleeve and unroll the awning
- Sturdy roller tube (diam. 62 mm) with integrated support legs and tension arms
- The simultaneous swing-out of the support legs and tension arms enables an easy and fast set-up of the awning
- Exclusive tensioning system with pump-buckle technology for a perfect fabric tension
- Thule Quick-Lock: user-friendly system to help you set up and adjust the support legs to the right heights
- Clever integrated tension arm support kit spreads the load safely on the caravan wall
- A Thule QuickFit tent can easily be installed with the optional Thule Awning Fixation Kit TO 1200 (307063)
- Integrated fixation for an optional 3rd support leg to ensure a higher stability (from 3.50 m awning length)
- Awning lengths from 4.00 m and more have a tension rafter supplied as standard

## ACCESSORIES

- Thule Awning Fixation Kit TO 1200
- Thule Tension Rafter G2 TO 1200
- Thule Hold Down Kit
- Thule Hold Down Side Strap Kit
- Thule 3rd Support Leg
- Thule Sun Blocker G2 Front
- Thule Sun Blocker G2 Side
- Thule Rain Blocker G2 Front
- Thule Rain Blocker G2 Side
- Thule View Blocker Front
- Thule Windscreen
- Thule QuickFit

## MAINTENANCE

- Thule PVC Cleaner
- Thule Repair Patch

| THULE OMNISTOR 1200 |            |            |       |                  |        |
|---------------------|------------|------------|-------|------------------|--------|
| LENGTH              | PROJECTION | NET WEIGHT | BAG   | FABRIC           | SKU-NO |
| 2.30 m              | 2.00 m     | 9 kg       | White | 31 Mystic Grey   | 307256 |
|                     |            |            |       | 32 Sapphire Blue | 307255 |
| 2.60 m              | 2.20 m     | 10.4 kg    | White | 31 Mystic Grey   | 307258 |
|                     |            |            |       | 32 Sapphire Blue | 307257 |
| 3.00 m              | 2.50 m     | 12 kg      | White | 31 Mystic Grey   | 307260 |
|                     |            |            |       | 32 Sapphire Blue | 307259 |
| 3.25 m              | 2.50 m     | 12.6 kg    | White | 31 Mystic Grey   | 307262 |
|                     |            |            |       | 32 Sapphire Blue | 307261 |
| 3.50 m              | 2.50 m     | 13.4 kg    | White | 31 Mystic Grey   | 307264 |
|                     |            |            |       | 32 Sapphire Blue | 307263 |
| 3.75 m              | 2.50 m     | 14.2 kg    | White | 31 Mystic Grey   | 307266 |
|                     |            |            |       | 32 Sapphire Blue | 307265 |
| 4.00 m              | 2.50 m     | 15 kg      | White | 31 Mystic Grey   | 307268 |
|                     |            |            |       | 32 Sapphire Blue | 307267 |
| 4.25 m              | 2.50 m     | 15.8 kg    | White | 31 Mystic Grey   | 307270 |
|                     |            |            |       | 32 Sapphire Blue | 307269 |
| 4.50 m              | 2.50 m     | 16.6 kg    | White | 31 Mystic Grey   | 307272 |
|                     |            |            |       | 32 Sapphire Blue | 307271 |
| 5.00 m              | 2.50 m     | 18.4 kg    | White | 31 Mystic Grey   | 307363 |
|                     |            |            |       | 32 Sapphire Blue | 307364 |
| 5.50 m              | 2.50 m     | 20 kg      | White | 31 Mystic Grey   | 307365 |
|                     |            |            |       | 32 Sapphire Blue | 307366 |